



8 Degree™
Under-mount Kitchen Sink
K-3672

Features

- 36-inch minimum base cabinet width.
- 16-gauge stainless steel.
- Under-mount.
- Double (unequal) bowl.
- With SilentShield® sound-absorption technology.
- 33" (787 mm) x 18" (419 mm)

Optional Accessories

- K-3140 Cutting Board
- K-8801 Sink Strainer

Components

Product includes:

- K-6135 Sink Rack
- K-6136 Sink Rack
- 91915 Hardware Kit
- K-6133 Wine Glass Rack

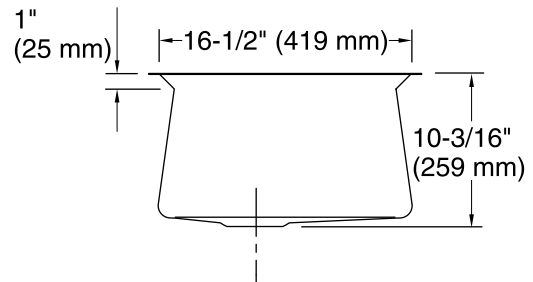
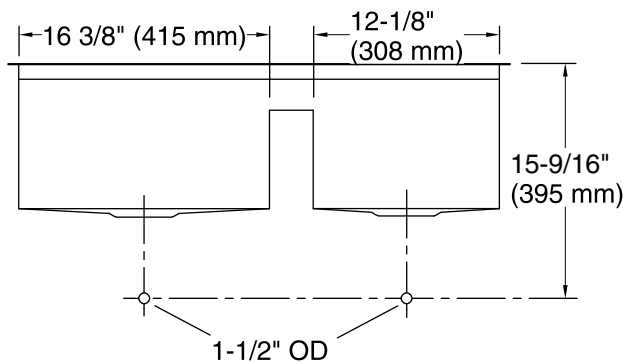
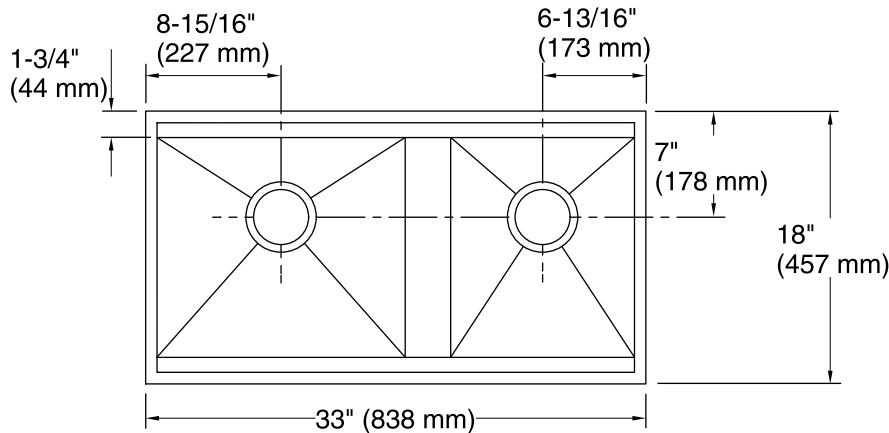


Codes/Standards

ASME A112.19.3/CSA B45.4

**Lifetime Limited Warranty for
KOHLER® Stainless Steel Sinks**

See website for detailed warranty information.



Technical Information

All product dimensions are nominal.

Bowl configuration: Large/medium

Installation: Under-mount

Min. base cabinet width: 36" (914 mm)

Bowl area (Left)
 Length: 16-3/8" (416 mm)
 Width: 16-1/2" (419 mm)
 Bowl depth: 9-3/4" (248 mm)
 Water depth: 9-3/4" (248 mm)

Bowl area (Right)
 Length: 12-1/8" (308 mm)
 Width: 16-1/2" (419 mm)
 Bowl depth: 9-3/4" (248 mm)
 Water depth: 9-3/4" (248 mm)

Drain hole: 3-5/8" (92 mm)

Template: 1093327-7, required, included

Notes

Install this product according to the installation instructions.