



**Brinx®**  
Top-mount Bar Sink  
**K-3674**

**Features**

- 21-inch minimum base cabinet width.
- 14-gauge stainless steel.
- Top-mount.
- Single bowl.
- 6-inch depth.
- 18-3/4" (476 mm) diameter.

**Optional Accessories**

K-8801 Sink Strainer



ADA

**Codes/Standards**

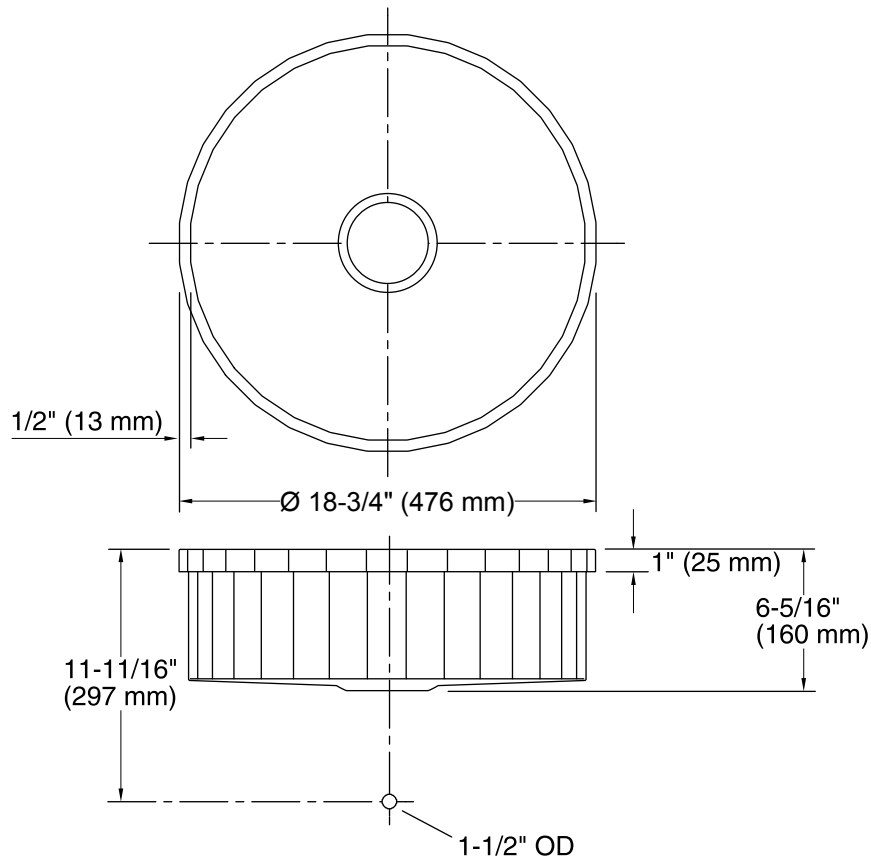
ASME A112.19.3/CSA B45.4

ADA

ICC/ANSI A117.1

**Lifetime Limited Warranty for  
KOHLER® Stainless Steel Sinks**

See website for detailed warranty information.



## Technical Information

All product dimensions are nominal.

Bowl configuration:	Single
Installation:	Top-mount
Bowl area (Only)	Diameter: $17\text{-}3/4"$ (451 mm) Bowl depth: $6"$ (152 mm)
Drain hole:	$3\text{-}5/8"$ (92 mm)
Template:	1220554-7, required, included

## Notes

Install this product according to the installation instructions.

ADA compliant when installed to the specific requirements of these regulations.