

# KOHLER®

## Vault™ Top-mount/Under-mount Kitchen Sink K-3839-3

### Features

- 36-inch minimum base cabinet width.
- 18-gauge stainless steel.
- Top-mount or under-mount.
- Large/medium bowls.
- Smart Divide® lowered divider.
- Three faucet holes.
- Includes left bottom bowl rack.
- Includes installation hardware.
- Includes SilentShield® sound-absorption technology.
- 33" (838 mm) x 22" (559 mm).

### Optional Accessories

- K-6429 Utility Rack
- K-6432 Saddle Towel Bar
- K-6434 Saddle Utility Rack
- K-6647 Bottom Bowl Rack (for small bowl )
- K-6667 Wood Cutting Board
- K-8801-NBR Sink Strainer

### Components

Product includes:

- 1177160 Hardware Kit, Top-mount



### Codes/Standards

ASME A112.19.3/CSA B45.4

### Lifetime Limited Warranty for KOHLER® Stainless Steel Sinks

See website for detailed warranty information.

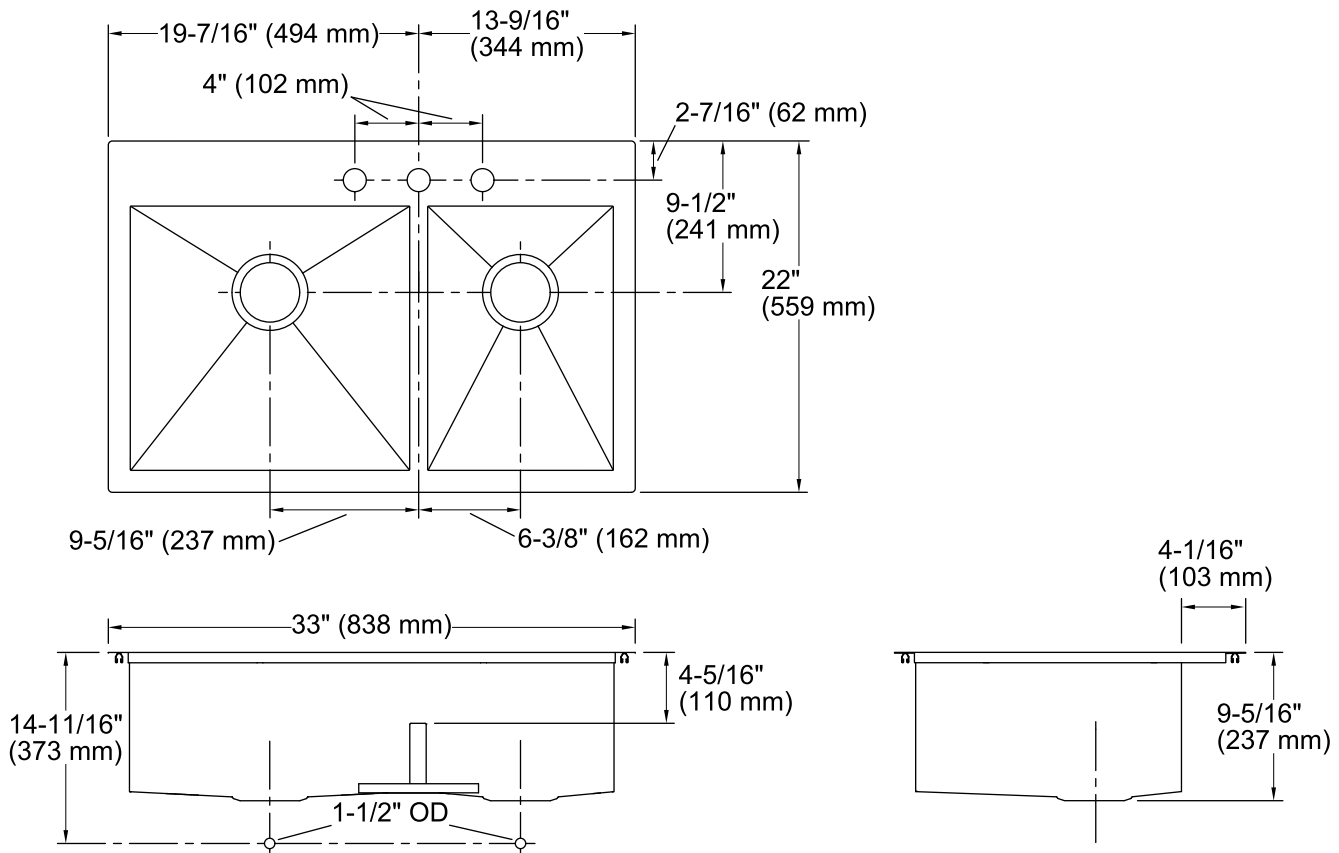
USA/Canada: 1-800-4KOHLER (1-800-456-4537)

Kohler Co. reserves the right to make revisions without notice to product specifications.

For the most current Specification Sheet, go to [www.kohler.com](http://www.kohler.com).

1-13-2017 05:15

THE BOLD LOOK  
OF **KOHLER®**



### Technical Information

All product dimensions are nominal.

|                       |   |
|-----------------------|---|
| Bowl configuration:   | Offset  |
| Installation:         | Top-mount, Under-mount  |
| Bowl area (Left)      | Length: 17-1/2" (445 mm)<br>Width: 16-9/16" (420 mm)<br>Bowl depth: 9" (229 mm)<br>Water depth: 9" (229 mm) |
| Bowl area (Right)     | Length: 11-5/8" (295 mm)<br>Width: 16-9/16" (420 mm)<br>Bowl depth: 9" (229 mm)<br>Water depth: 9" (229 mm) |
| Number of deck holes: | 3   |
| Faucet hole(s):       | 1-7/16" (37 mm)   |
| Drain hole:           | 3-3/4" (94 mm)  |
| Template:             | 1130823-7, required, included   |

### Notes

Install this product according to the installation instructions.

Allow 3/4" (19 mm) clearance beyond the back of the bowl for the wood cutting board (optional accessory).