

KOHLER®

Octave® Top-mount/Under-mount Kitchen Sink K-3842-1

Features

- 36-inch minimum base cabinet width.
- 18-gauge stainless steel.
- Top-mount or Under-mount.
- Double (equal) bowl.
- Single faucet hole.
- With SilentShield® sound-absorption technology.
- 33" (838 mm) x 22" (559 mm)

Optional Accessories

- K-6453 Sink Rack
- K-8801 Sink Strainer
- 1177161 Installation Clip Kit

Components

Product includes:

- K-6139 Sponge Caddy
- K-6483 Sink Rack
- 1177160 Hardware Kit, Top-mount



Codes/Standards

ASME A112.19.3/CSA B45.4

Lifetime Limited Warranty for KOHLER® Stainless Steel Sinks

See website for detailed warranty information.

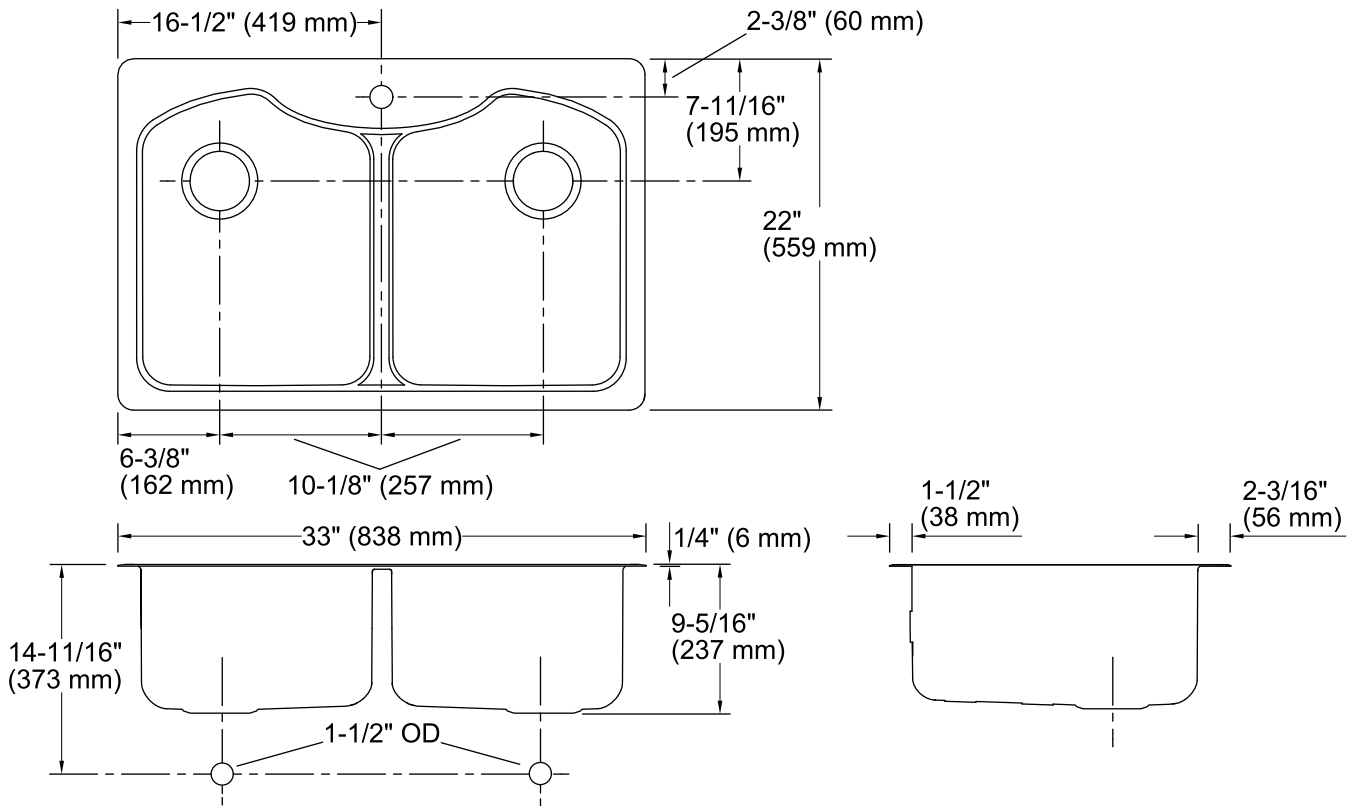
USA/Canada: 1-800-4KOHLER (1-800-456-4537)

Kohler Co. reserves the right to make revisions without notice to product specifications.

For the most current Specification Sheet, go to www.kohler.com.

12-20-2016 05:25

THE BOLD LOOK
OF **KOHLER®**



Technical Information

All product dimensions are nominal.

Bowl configuration:	Double equal
Installation:	Top-mount, Under-mount
Cutout:	Top-mount, 32-1/2" x 21-1/2" (826 mm x 546 mm) with 1/2" (13 mm) radius corners
Bowl area (Left)	Length: 14-3/8" (365 mm) Width: 18-5/16" (465 mm) Water depth: 9" (229 mm)
Bowl area (Right)	Length: 14-3/8" (365 mm) Width: 18-5/16" (465 mm) Water depth: 9" (229 mm)
Number of deck holes:	1
Faucet hole(s):	1-7/16" (37 mm)
Drain hole:	3-5/8" (92 mm)

Notes

Install this product according to the installation instructions.