

## Features

- 36-inch minimum base cabinet width.
- Double (equal) bowl.
- 9-inch depth.
- Three faucet holes with one accessory hole to the right.
- SilentShield® sound-absorption technology.
- 33" (838 mm) x 22" (559 mm)

## Material

- 18-gauge stainless steel.

## Installation

- Top-mount/under-mount.

## Optional Accessories

- K-6453 Sink Rack
- K-8801 Sink Strainer
- 1177161 Installation Clip Kit

## Components

Additional included component/s: Hardware kit; top-mount, sponge caddy, and bottom bowl rack (flippable).

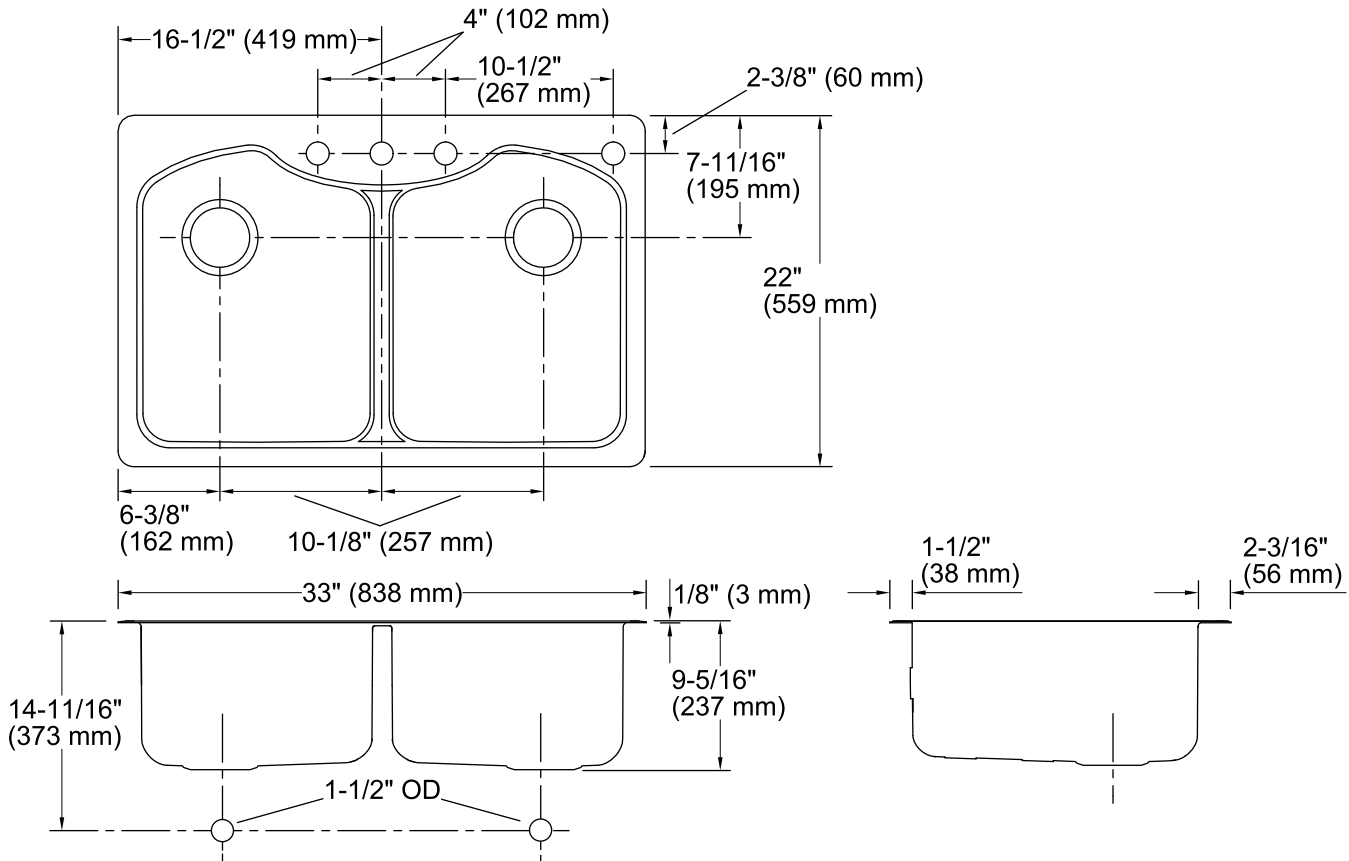


## Codes/Standards

ASME A112.19.3/CSA B45.4

## Lifetime Limited Warranty for KOHLER® Stainless Steel Sinks

See website for detailed warranty information.



#### Technical Information

All product dimensions are nominal.

- Bowl configuration: Double equal
- Installation: Top-mount, Under-mount
- Cutout: Top-mount, 32-1/2" x 21-1/2" (826 mm x 546 mm) with 3/4" (19 mm) radius corners
- Bowl area (Left)
  - Length: 14-3/8" (365 mm)
  - Width: 18-5/16" (465 mm)
  - Bowl depth: 9" (229 mm)
- Bowl area (Right)
  - Length: 14-3/8" (365 mm)
  - Width: 18-5/16" (465 mm)
  - Bowl depth: 9" (229 mm)
- Number of deck holes: 4
- Faucet hole(s): 1-7/16" (37 mm)
- Drain hole: 3-5/8" (92 mm)
- Template: 1181611-7, required, included

#### Notes

Install this product according to the installation instructions.