

KOHLER®

Octave® Under-mount Kitchen Sink K-3843

Features

- 36-inch minimum base cabinet width.
- 18-gauge stainless steel.
- Under-mount.
- Double (equal) bowl.
- With SilentShield® sound-absorption technology.
- 32" (813 mm) x 20-1/4" (514 mm)

Optional Accessories

K-8801 Sink Strainer

Components

Product includes:

- K-6453 Sink Rack
- K-6483 Sink Rack
- 91915 Hardware Kit
- K-6139 Sponge Caddy



Codes/Standards

ASME A112.19.3/CSA B45.4

Lifetime Limited Warranty for KOHLER® Stainless Steel Sinks

See website for detailed warranty information.

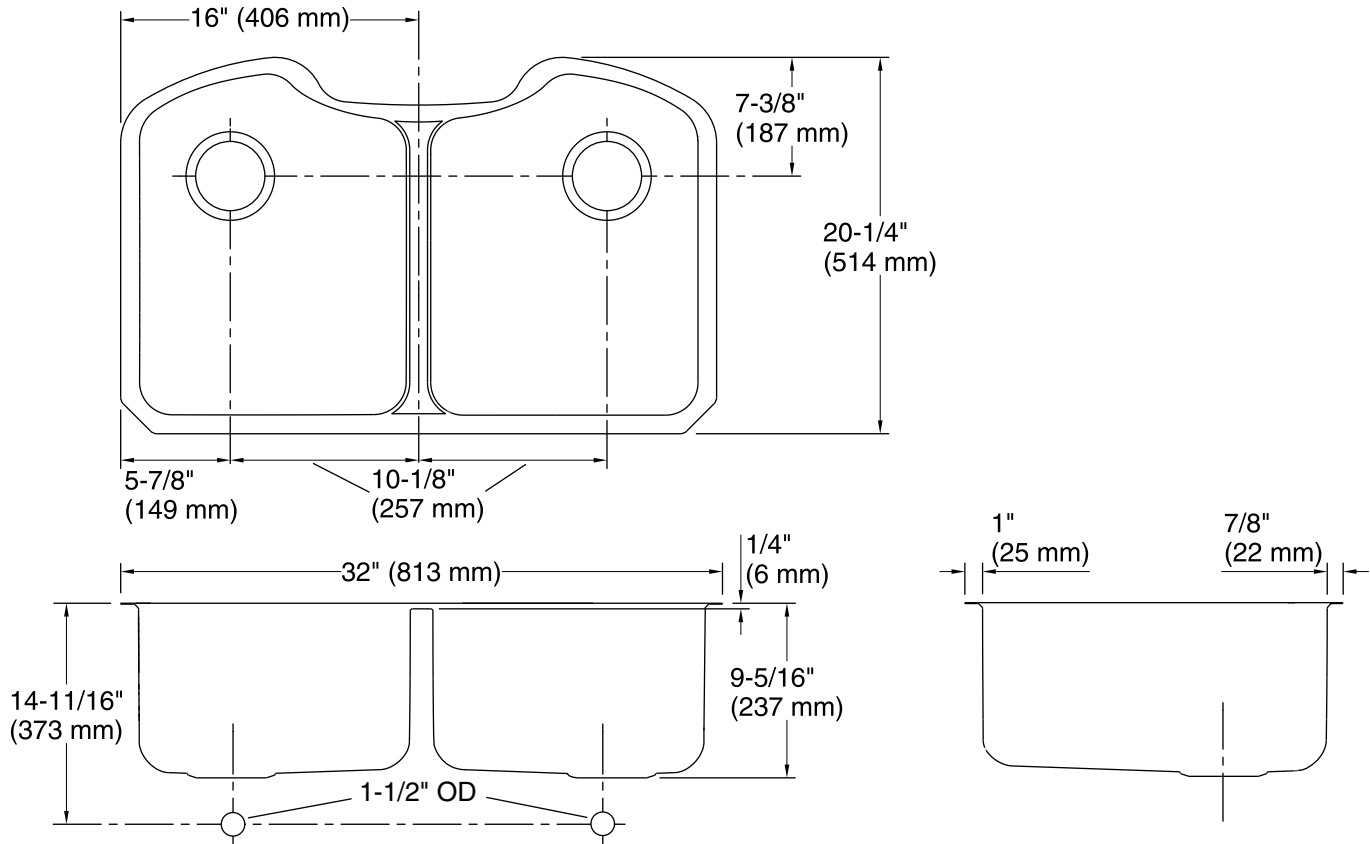
USA/Canada: 1-800-4KOHLER (1-800-456-4537)

Kohler Co. reserves the right to make revisions without notice to product specifications.

For the most current Specification Sheet, go to www.kohler.com.

12-20-2016 05:26

THE BOLD LOOK
OF **KOHLER®**



Technical Information

All product dimensions are nominal.

Bowl configuration:	Double equal
Installation:	Under-mount
Bowl area (Left)	Length: 14-3/8" (365 mm) Width: 18-5/16" (465 mm) Bowl depth: 9" (229 mm)
Bowl area (Right)	Length: 14-3/8" (365 mm) Width: 18-5/16" (465 mm) Bowl depth: 9" (229 mm)
Drain hole:	3-5/8" (92 mm)
Template:	1181611-7, required, included

Notes

Install this product according to the installation instructions.