



**Octave®**  
Top-mount Kitchen Sink  
**K-3844-4**

**Features**

- 36-inch minimum base cabinet width.
- 18-gauge stainless steel.
- Top-mount.
- Large/medium bowl.
- Three faucet holes with one accessory hole to the left.
- With SilentShield® sound-absorption technology.
- 33" (838 mm) x 22" (559 mm)

**Optional Accessories**

- K-6485 Sink Rack
- K-8801 Sink Strainer
- 1177161 Installation Clip Kit

**Components**

Product includes:

- K-6484 Sink Rack
- K-6139 Sponge Caddy
- 1177160 Hardware Kit, Top-mount

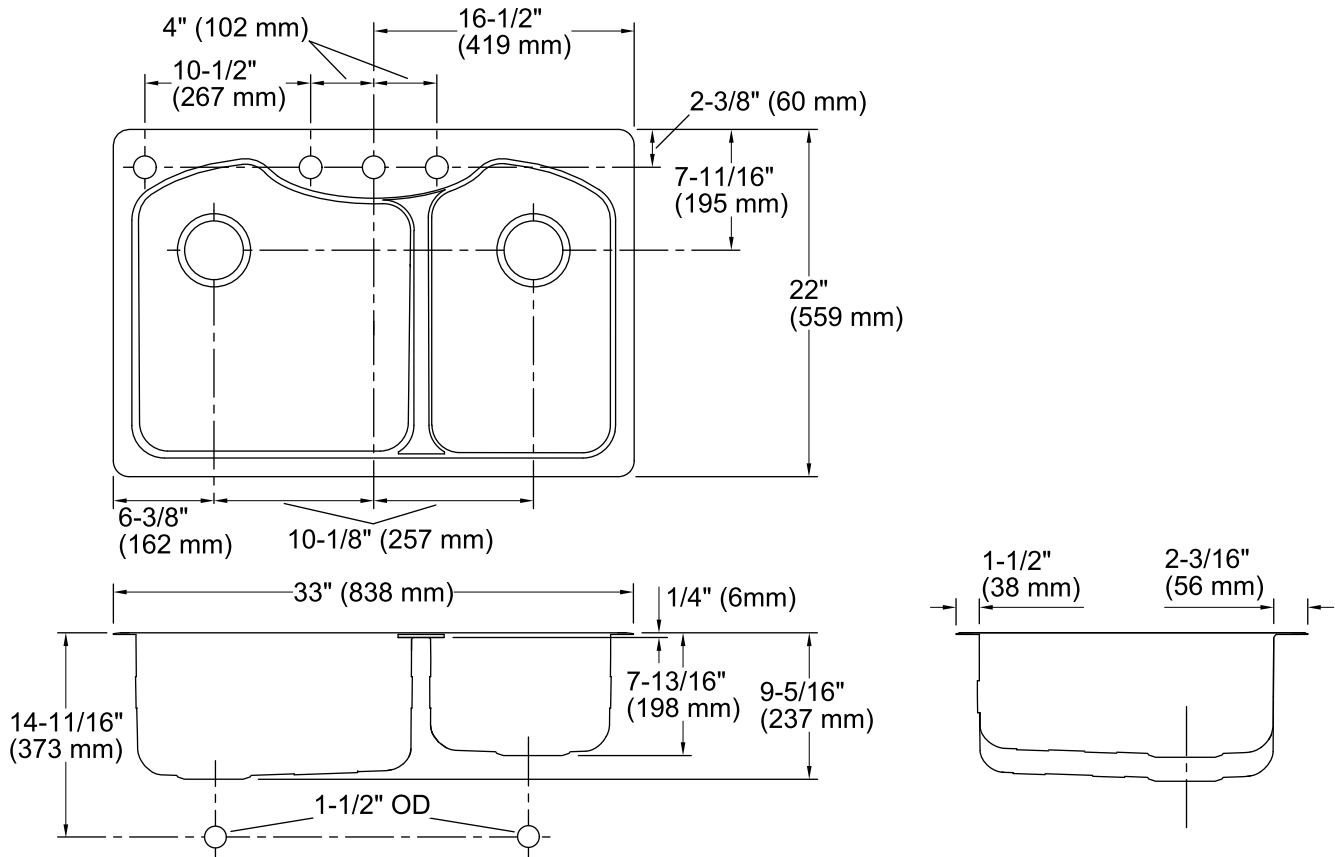


**Codes/Standards**

ASME A112.19.3/CSA B45.4

**Lifetime Limited Warranty for  
KOHLER® Stainless Steel Sinks**

See website for detailed warranty information.



### Technical Information

All product dimensions are nominal.

Bowl configuration:	Large/medium
Installation:	Top-mount
Cutout:	Top-mount, 32-1/2" x 21-1/2" (826 mm x 546 mm) with 1/2" (13 mm) radius corners
Bowl area (Left)	Length: 17-3/8" (441 mm) Width: 18-5/16" (465 mm) Water depth: 9" (229 mm)
Bowl area (Right)	Length: 11-5/16" (287 mm) Width: 18-5/16" (465 mm) Water depth: 9" (229 mm)
Number of deck holes:	4
Faucet hole(s):	1-7/16" (37 mm)
Drain hole:	3-5/8" (92 mm)

### Notes

Install this product according to the installation instructions.