



**Vault™**  
Top-mount/ Under-mount Kitchen Sink  
**K-3894-4**

**Features**

- Small single bowl.
- 6-inch depth.
- Three faucet holes with one accessory hole to the right.
- 27-inch minimum base cabinet width.
- 25" (635 mm) x 22" (559 mm)

**Material**

- 18-gauge stainless steel.

**Technology**

- SilentShield® sound-absorption technology offers quieter performance.

**Installation**

- Top-mount or under-mount.

**Optional Accessories**

- K-6645 Sink Rack
- K-8801 Sink Strainer
- 1177161 Installation Clip Kit

**Components**

- Product includes:
- 1130570 Hardware Kit, Self-Rimming



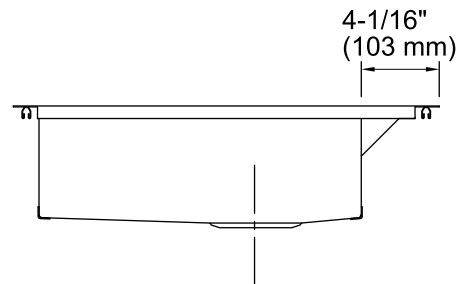
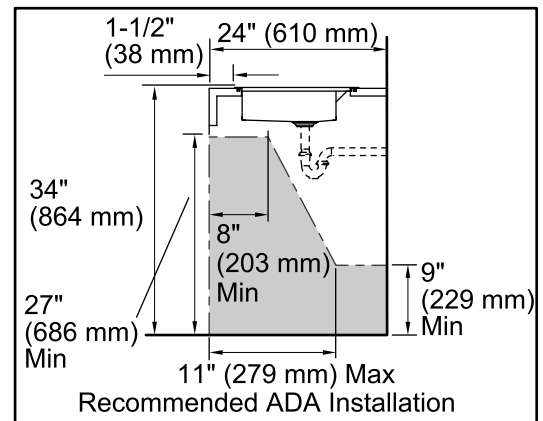
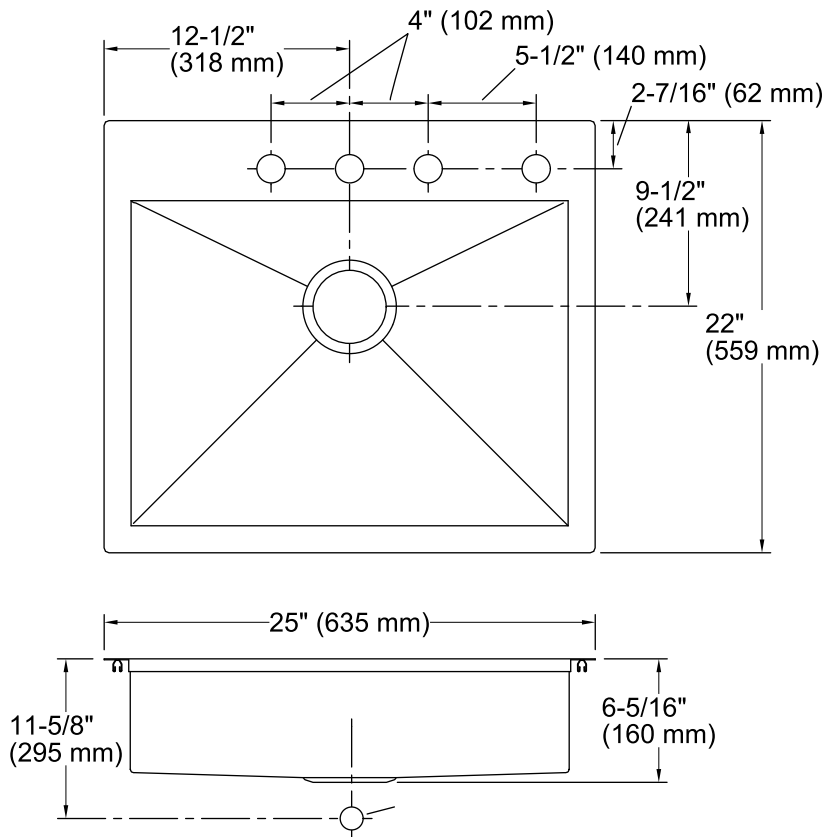
**ADA**

**Codes/Standards**

- ASME A112.19.3/CSA B45.4
- ADA
- ICC/ANSI A117.1

**KOHLER® One-Year Limited Warranty**

See website for detailed warranty information.



### Technical Information

All product dimensions are nominal.

Bowl configuration:	Single
Installation:	Top-mount, Under-mount
Bowl area (Only)	Length: 22-1/4" (565 mm) Width: 16-9/16" (420 mm) Bowl depth: 6" (152 mm) Water depth: 6" (152 mm)
Number of deck holes:	4
Faucet hole(s):	1-7/16" (37 mm)
Soap/Lotion hole:	1-7/16" (37 mm)
Drain hole:	3-3/4" (94 mm)
Template:	1130822-7, required, included

### Notes

Install this product according to the installation instructions.

Hardward Kit 1177161 needed for countertops with a 2-1/2" (64 mm) thickness or less.

For under-mount installation, counter top thickness can not be greater than 1" (25 mm) for ADA compliance.

ADA compliant when installed to the specific requirements of these regulations.