

#### Features

- 30-inch minimum base cabinet width.
- 18-gauge stainless steel.
- Top-mount.
- Medium single bowl.
- Three faucet holes with one accessory hole to the right.
- With integral shortened self-trimming apron.
- With SilentShield® sound-absorption technology.
- 29-3/4" (756 mm) x 24-5/16" (618 mm)

#### Optional Accessories

- K-6429 Utility Rack
- K-6466 Sink Rack
- K-8801 Sink Strainer

#### Components

Product includes:

- 1130570 Hardware Kit, Self-Rimming
- 1173293 Hardware Kit, Side Clip

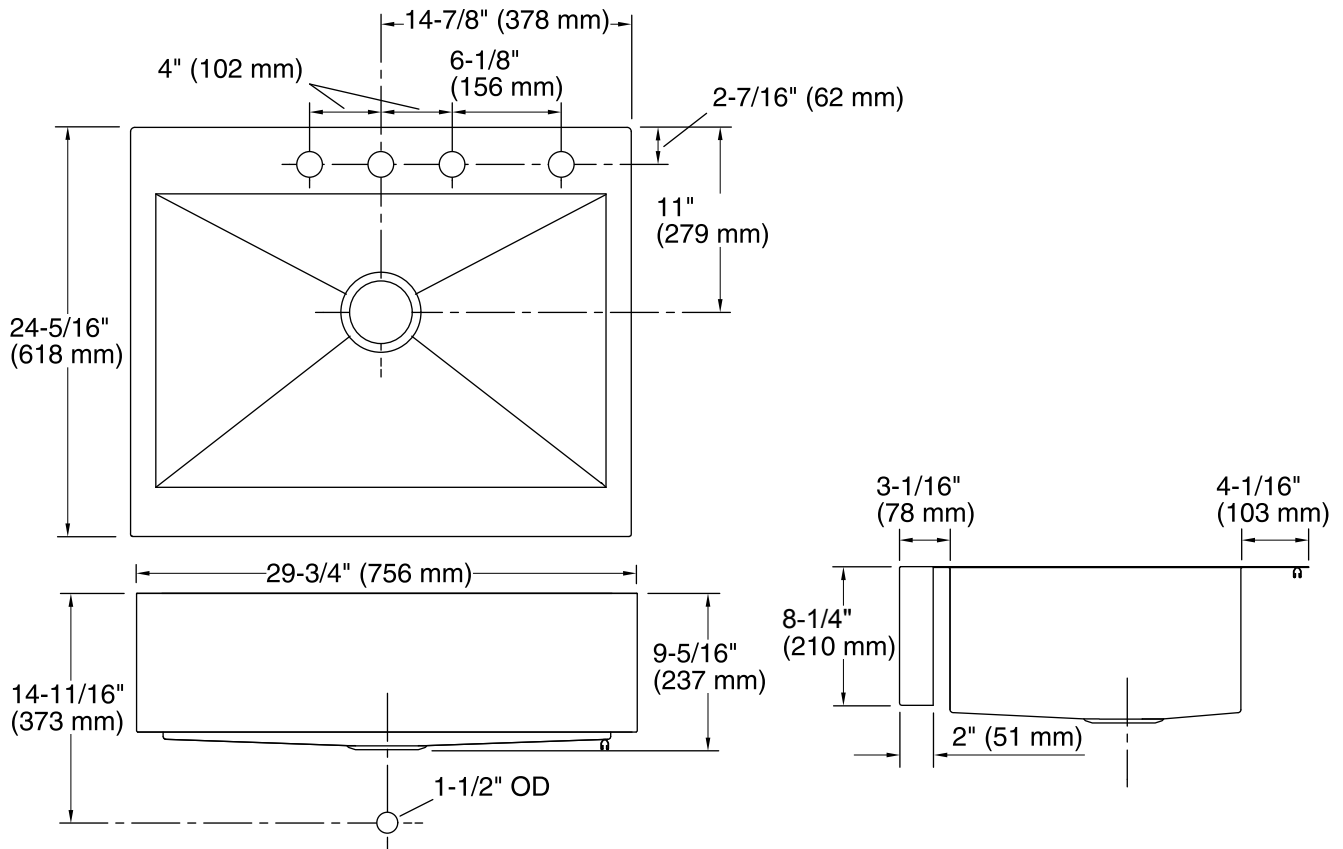


#### Codes/Standards

None Applicable

#### Lifetime Limited Warranty for KOHLER® Stainless Steel Sinks

See website for detailed warranty information.



### Technical Information

All product dimensions are nominal.

Bowl configuration:	Single
Installation:	Top-mount
Min. base cabinet width:	30" (762 mm)
Bowl area (Only)	Length: 26-1/2" (673 mm) Width: 17-3/16" (437 mm) Bowl depth: 9" (229 mm)
Number of deck holes:	4
Faucet hole(s):	1-7/16" (37 mm)
Drain hole:	3-5/8" (92 mm)
Template:	1166716-7, required, included 1178341, required, included

### Notes

Install this product according to the installation instructions.