



Vault™

Top-mount Apron Front Kitchen Sink
K-3942-3

Features

- 36-inch minimum base cabinet width.
- 18-gauge stainless steel.
- Top-mount.
- Large single bowl.
- Three faucet holes.
- With integral shortened self-trimming apron.
- With SilentShield® sound-absorption technology.
- 35-3/4" (908 mm) x 24-5/16" (618 mm)

Optional Accessories

- K-6429 Utility Rack
- K-6474 Sink Rack
- K-8801 Sink Strainer

Components

Product includes:

- 1130570 Hardware Kit, Self-Rimming
- 1173293 Hardware Kit, Side Clip



Codes/Standards

ASME A112.19.3/CSA B45.4

**Lifetime Limited Warranty for
KOHLER® Stainless Steel Sinks**

See website for detailed warranty information.

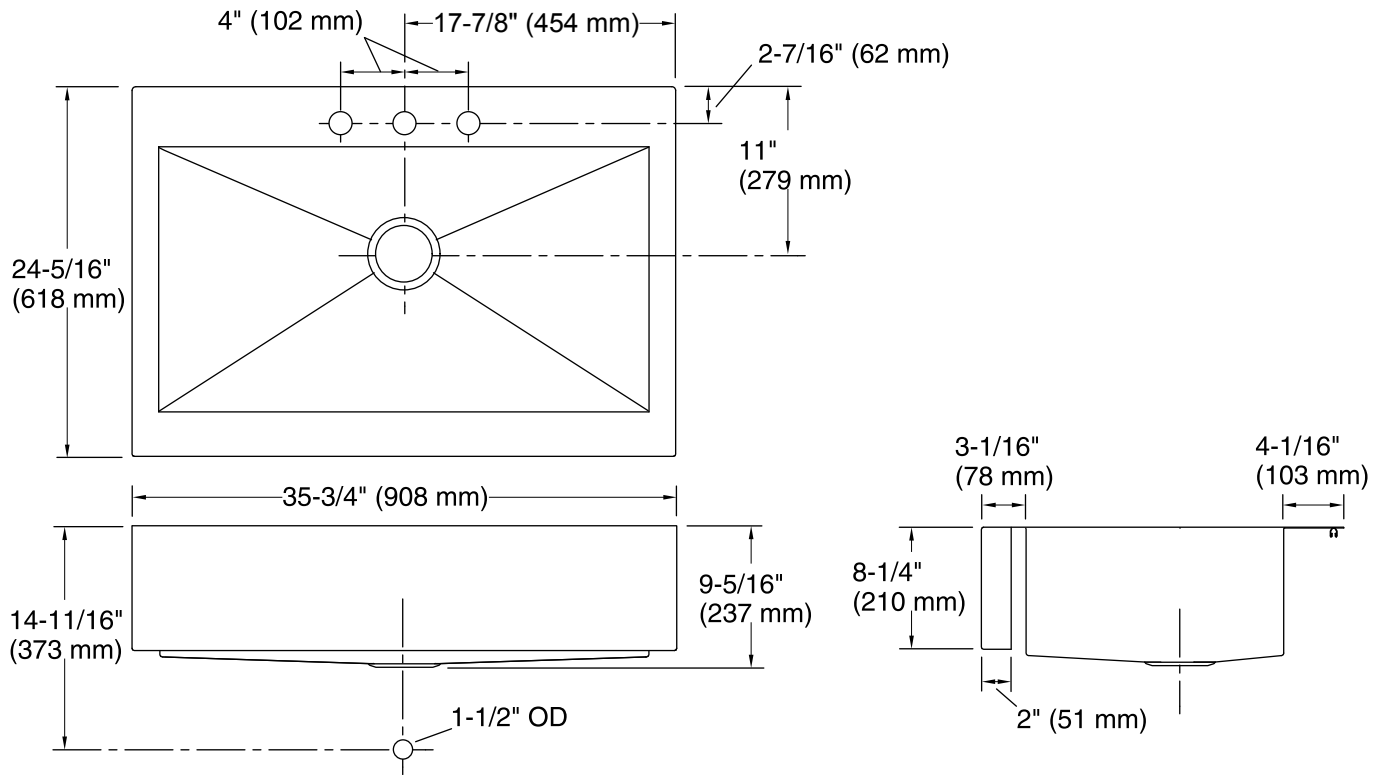
USA/Canada: 1-800-4KOHLER (1-800-456-4537)

Kohler Co. reserves the right to make revisions without notice to product specifications.

For the most current Specification Sheet, go to www.kohler.com.

12-20-2016 05:29

THE BOLD LOOK
OF **KOHLER®**



Technical Information

All product dimensions are nominal.

Bowl configuration:	Single
Installation:	Top-mount
Min. base cabinet width:	36" (914 mm)
Bowl area (Only)	Length: 32-1/2" (826 mm) Width: 17-3/16" (437 mm) Bowl depth: 9" (229 mm)
Number of deck holes:	3
Faucet hole(s):	1-7/16" (37 mm)
Drain hole:	3-5/8" (92 mm)
Template:	1166717-7, required, included 1178341, required, included

Notes

Install this product according to the installation instructions.