



**Vault™**

Top-mount Apron Front Kitchen Sink  
**K-3942-4**

### Features

- 36-inch minimum base cabinet width.
- 18-gauge stainless steel.
- Top-mount.
- Large single bowl.
- Three faucet holes with one accessory hole to the right.
- With integral shortened self-trimming apron.
- With SilentShield® sound-absorption technology.
- 35-3/4" (908 mm) x 24-5/16" (618 mm)

### Optional Accessories

- K-6429 Utility Rack
- K-6474 Sink Rack
- K-8801 Sink Strainer

### Components

Product includes:

- 1130570 Hardware Kit, Self-Rimming
- 1173293 Hardware Kit, Side Clip



### Codes/Standards

ASME A112.19.3/CSA B45.4

### Lifetime Limited Warranty for KOHLER® Stainless Steel Sinks

See website for detailed warranty information.

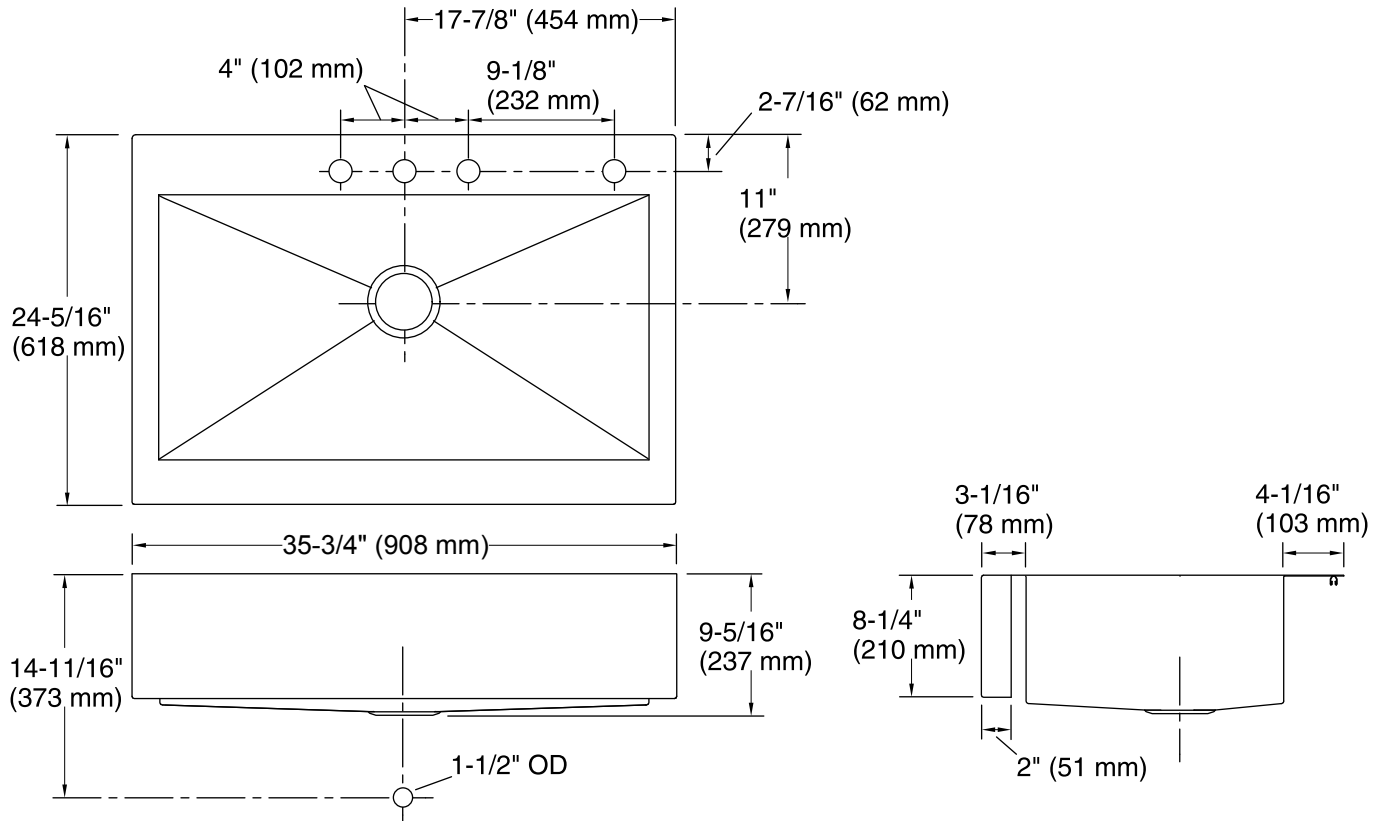
USA/Canada: 1-800-4KOHLER (1-800-456-4537)

Kohler Co. reserves the right to make revisions without notice to product specifications.

For the most current Specification Sheet, go to [www.kohler.com](http://www.kohler.com).

12-20-2016 05:29

THE BOLD LOOK  
OF **KOHLER®**



### Technical Information

All product dimensions are nominal.

Bowl configuration:	Single
Installation:	Top-mount
Min. base cabinet width:	36" (914 mm)
Bowl area (Only)	Length: 32-1/2" (826 mm) Width: 17-3/16" (437 mm) Bowl depth: 9" (229 mm)
Number of deck holes:	4
Faucet hole(s):	1-7/16" (37 mm)
Drain hole:	3-5/8" (92 mm)
Template:	1166717-7, required, included 1178341, required, included

### Notes

Install this product according to the installation instructions.