

## Features

- Solid polypropylene plastic.
- Elongated open-front seat.
- With cover.
- With support arms.
- Includes an anti-microbial agent formed into the plastic which inhibits the growth of bacteria and germs on the toilet seat.
- 3/8" stainless steel mounting studs.



## Codes/Standards

IAPMO/ANSI Z124.5

## KOHLER® One-Year Limited Warranty

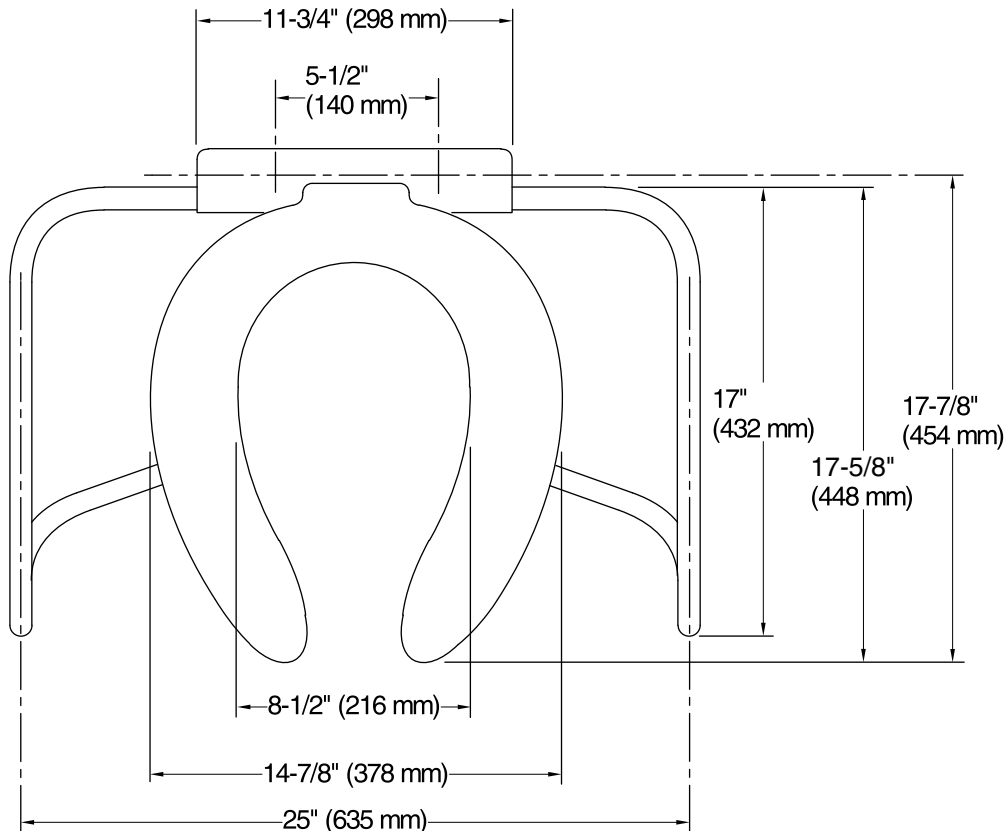
See website for detailed warranty information.

## Available Color/Finishes

*Color tiles intended for reference only.*

Color	Code	Description
-------	------	-------------

	0	White
--	---	-------



### Technical Information

All product dimensions are nominal.

Seat shape type: Elongated

Seat front type: Open front

Seat-mounting holes: 5-1/2" (140 mm)

### Notes

Install this product according to the installation guide.

NOTE: These toilet seats cannot be installed onto one piece toilets that have pre-installed anchor nuts.