



**Verse™**  
Top-mount Kitchen Sink  
**K-5267-4**

**Features**

- 36-inch minimum base cabinet width.
- Double equal bowl.
- 9-inch depth.
- Four faucet holes.
- SilentShield® sound-absorption technology offers quieter performance.
- Includes installation hardware.

**Material**

- 18-gauge stainless steel.

**Installation**

- Top-mount

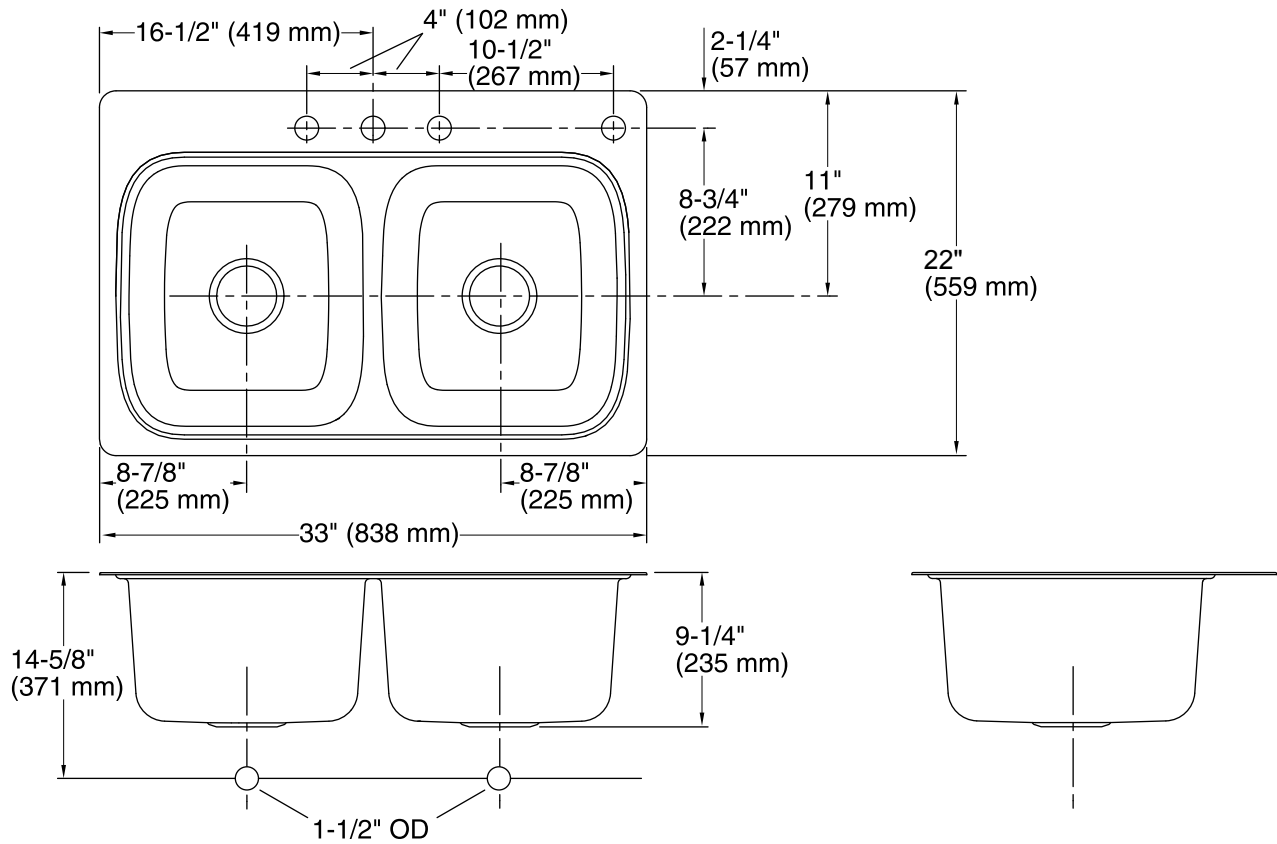


**Codes/Standards**

ASME A112.19.3/CSA B45.4  
All applicable US Federal and State material regulations

**Lifetime Limited Warranty for  
KOHLER® Stainless Steel Sinks**

See website for detailed warranty information.



## Technical Information

All product dimensions are nominal.

Bowl configuration: Double equal

Installation: Top-mount

Min. base cabinet width: 36" (914 mm)

Bowl area (Left) Length: 14-3/16" (360 mm)  
 Width: 15-11/16" (398 mm)  
 Bowl depth: 9" (229 mm)

Bowl area (Right) Length: 14-3/16" (360 mm)  
 Width: 15-11/16" (398 mm)  
 Bowl depth: 9" (229 mm)

Number of deck holes: 4

Faucet hole(s): 1-7/16" (37 mm)

Drain hole: 3-5/8" (92 mm)

## Notes

Install this product according to the installation instructions.