

Features

- Single bowl.
- Squared bowl.
- Includes a sink bridge utility shelf with dishcloth bar and a bottom basin rack.
- 32" (813 mm) x 18-1/4" (464 mm)

Material

- 16-gauge stainless steel.

Technology

- Includes SilentShield® sound-absorption system.

Installation

- Under-mount.
- Includes installation hardware.

Optional Accessories

- K-6667 Wood Cutting Board
- K-8801 Sink Strainer

Components

Additional included component/s: Hardware kit (3 required), Cut-out template, Sink bridge utility shelf with dish cloth bar, and Bottom bowl rack.

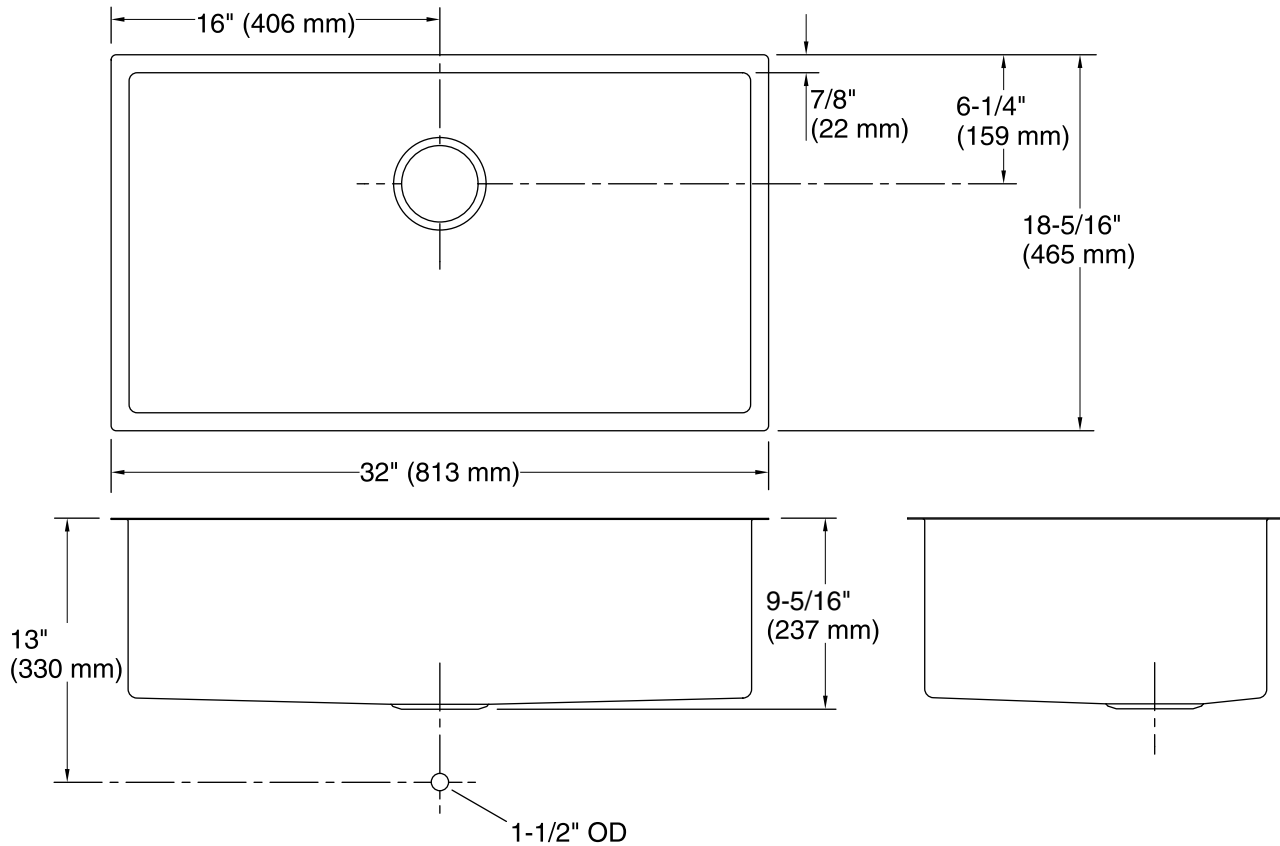


Codes/Standards

ASME A112.19.3/CSA B45.4

Lifetime Limited Warranty for Kohler Stainless Steel Sinks

See website for detailed warranty information.



Technical Information

All product dimensions are nominal.

Bowl configuration:	Single
Installation:	Under-mount
Min. base cabinet width:	36" (914 mm)
Bowl area	Length: 30-1/4" (768 mm) Width: 16-9/16" (421 mm) Bowl depth: 9" (229 mm) Water depth: 9" (229 mm)
Drain hole:	3-3/4" (95 mm)
Template:	1207216-7, required, included

Notes

Install this product according to the installation instructions.