

### Features

- Solid brass construction for durability and reliability.
- 1-1/4" connection.
- Without overflow.
- Decorative trim cap designs.
- Snowflake design.



### Codes/Standards


ASME A112.18.2/CSA B125.2

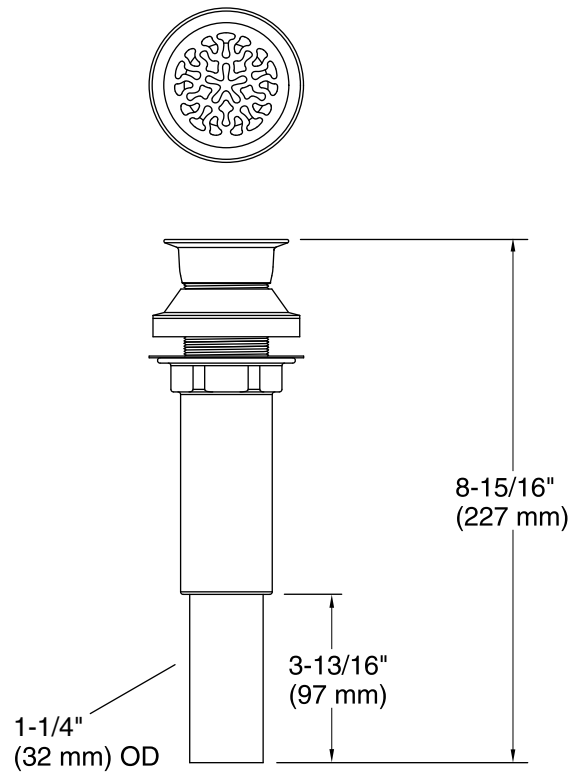
### KOHLER® One-Year Limited Warranty

See website for detailed warranty information.

### Available Color/Finishes

*Color tiles intended for reference only.*

| Color  | Code | Description             |
|--|------|-------------------------|
|  | CP   | Polished Chrome         |
|  | AF   | Vibrant® French Gold    |
|  | BN   | Vibrant® Brushed Nickel |
|  | BV   | Vibrant® Brushed Bronze |
|  | 2BZ  | Oil-Rubbed Bronze       |
|  | TT   | Vibrant Titanium        |
|  | VNT  | Vintage Nickel          |



### Technical Information

All product dimensions are nominal.

### Notes

Install this product according to the installation guide.

A thin gasket and a thick gasket are provided with the drain. Use the thin gasket when installing the drain to bathroom sink with a thick wall [3-1/2" (89 mm) maximum thickness], such as vitreous china or cast iron. Use the thick gasket when installing the drain to bathroom sink with a thin wall, such as stainless steel or copper.