

Features

- Metal construction.
- Leak-free ceramic disc valves exceed industry standards by two times for a lifetime of use.
- Durable KOHLER finishes resist corrosion and tarnishing.
- Complete range of faucets, accessories and showering components to coordinate a full bathroom.



Codes/Standards



ASME A112.18.1/CSA B125.1
ASSE 1001

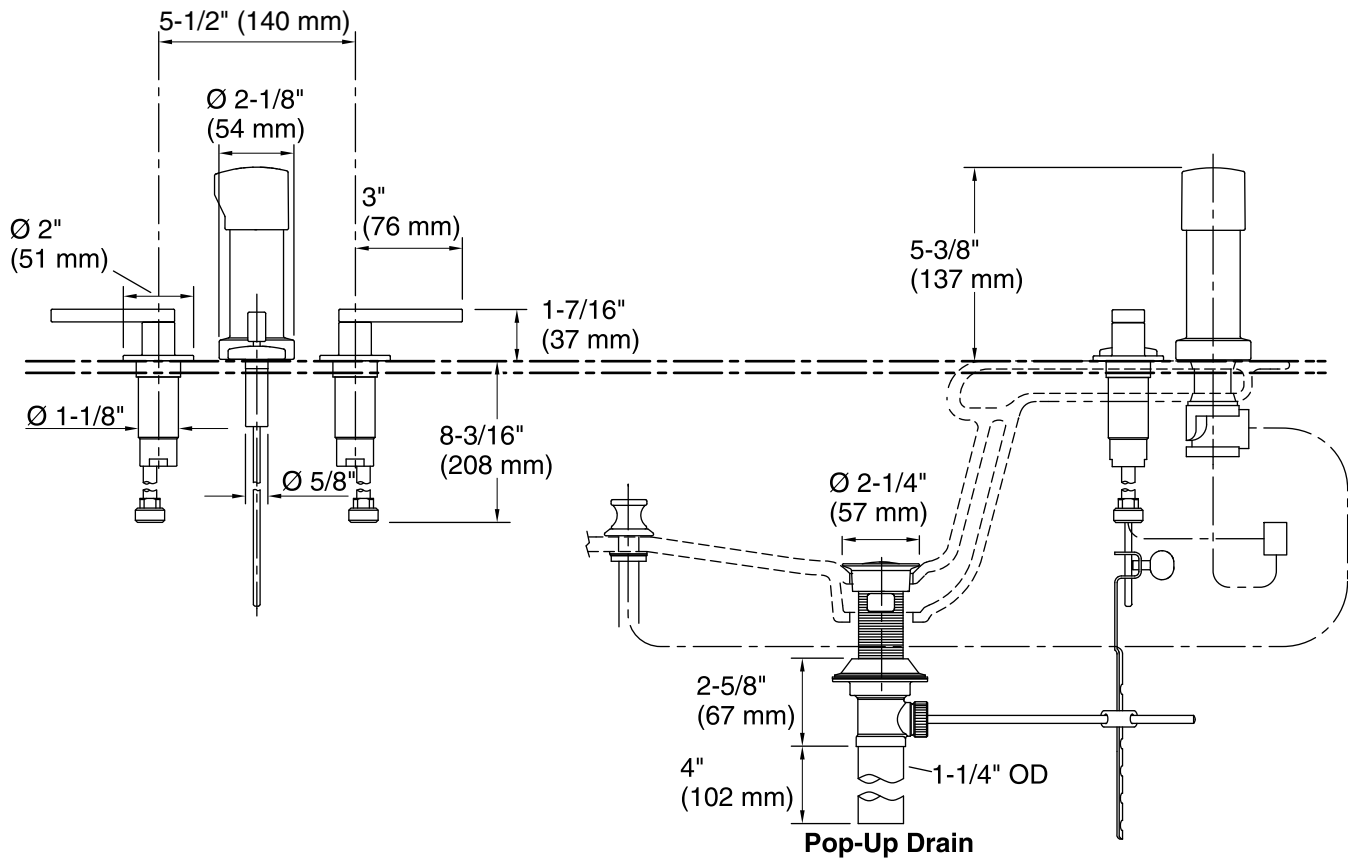
KOHLER® Faucet Lifetime Limited Warranty

See website for detailed warranty information.

Available Color/Finishes

Color tiles intended for reference only.

| Color | Code | Description |
|--|------|------------------|
|  | CP | Polished Chrome |
|  | TT | Vibrant Titanium |



Technical Information

All product dimensions are nominal.

Drain tailpiece included: YES

Notes

Install this product according to the installation guide.