



**Composed™**  
Pivoting Toilet Tissue Holder  
**K-73147**

**Features**

- Metal construction
- Durable KOHLER finishes resist corrosion and tarnishing
- Complete range of faucets, accessories and showering components to coordinate a full bathroom
- Accessories include spacing template for simple installation



**Codes/Standards**



None Applicable

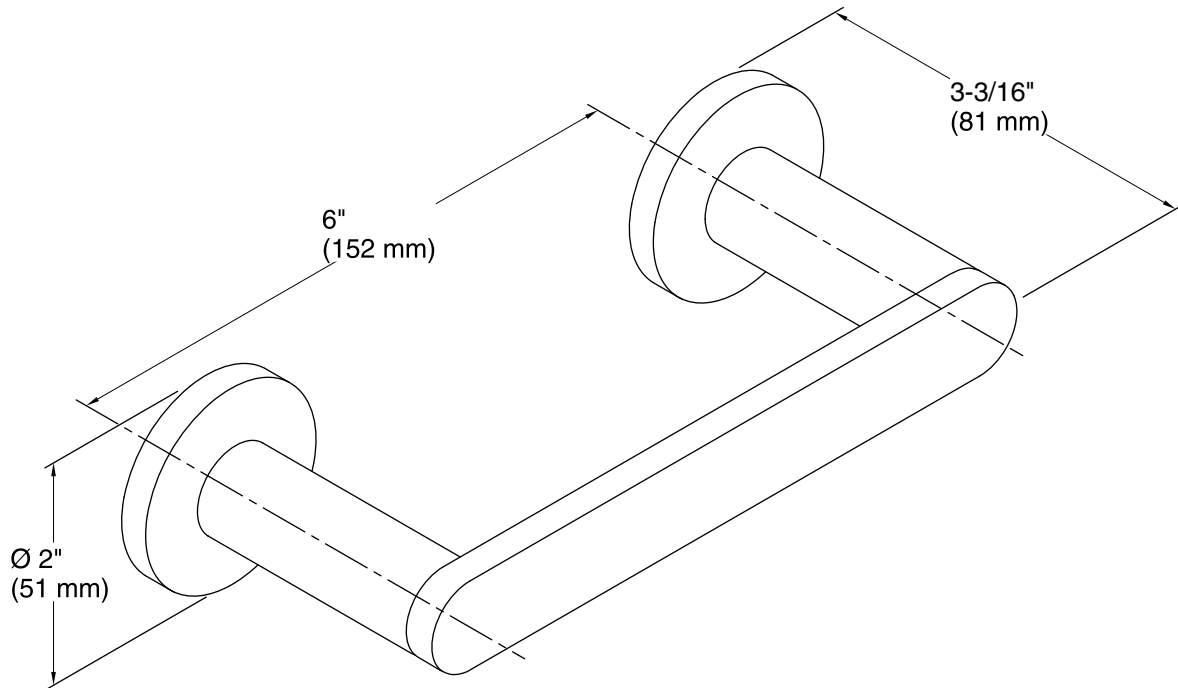
**KOHLER® Faucet Lifetime Limited  
Warranty**

See website for detailed warranty information.

**Available Color/Finishes**

*Color tiles intended for reference only.*

Color	Code	Description
	CP	Polished Chrome
	TT	Vibrant Titanium



### Technical Information

All product dimensions are nominal.

### Notes

Install this product according to the installation guide.