



Composed™
Vertical Toilet Tissue Holder
K-73148

Features

- Metal construction
- Durable KOHLER finishes resist corrosion and tarnishing
- Complete range of faucets, accessories and showering components to coordinate a full bathroom
- Accessories include spacing template for simple installation



Codes/Standards



None Applicable

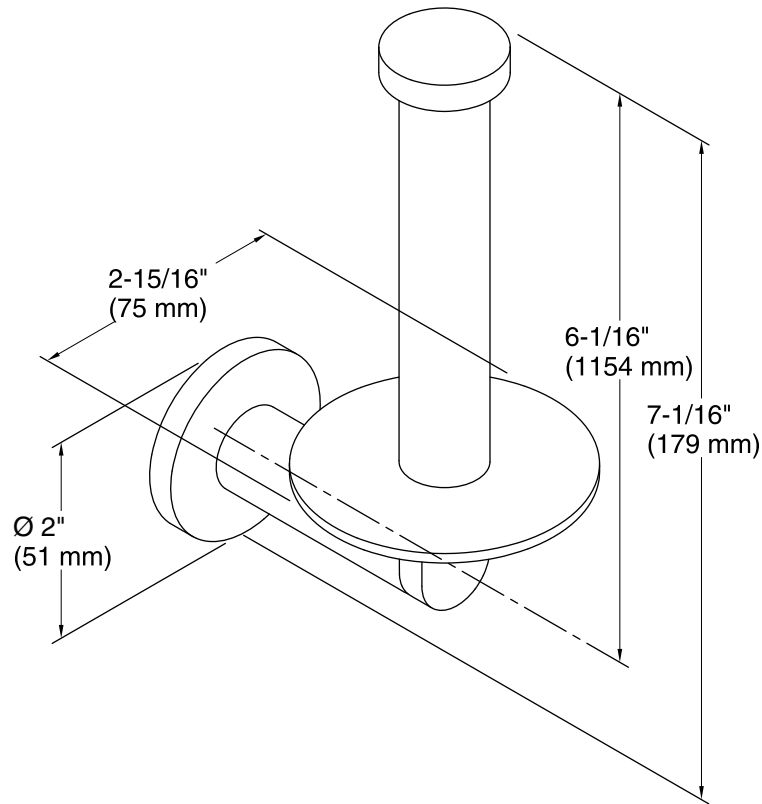
KOHLER® Faucet Lifetime Limited Warranty

See website for detailed warranty information.

Available Color/Finishes

Color tiles intended for reference only.

Color	Code	Description
	CP	Polished Chrome
	TT	Vibrant Titanium



Technical Information

All product dimensions are nominal.

Notes

Install this product according to the installation guide.