

### Features

- Includes cutout templates.
- 9-1/2 inch depth.
- Includes 1 bottom basin rack.

### Material

- KOHLER Neoroc material.

### Installation

- Includes 1 faucet hole on rear deck (3 more faucet holes available for knockout with ball-peen hammer & punch).
- 36-inch minimum base cabinet width for under-mount installation.
- 36-inch minimum base cabinet width for top-mount installation.
- Top-mount or under-mount installation.

### Recommended Accessories

K-9000 P-Trap

### Optional Accessories

K-8801 Sink Strainer

K-5376 Sink Rack

### Components

Additional included component/s: K-6109.





### Codes/Standards

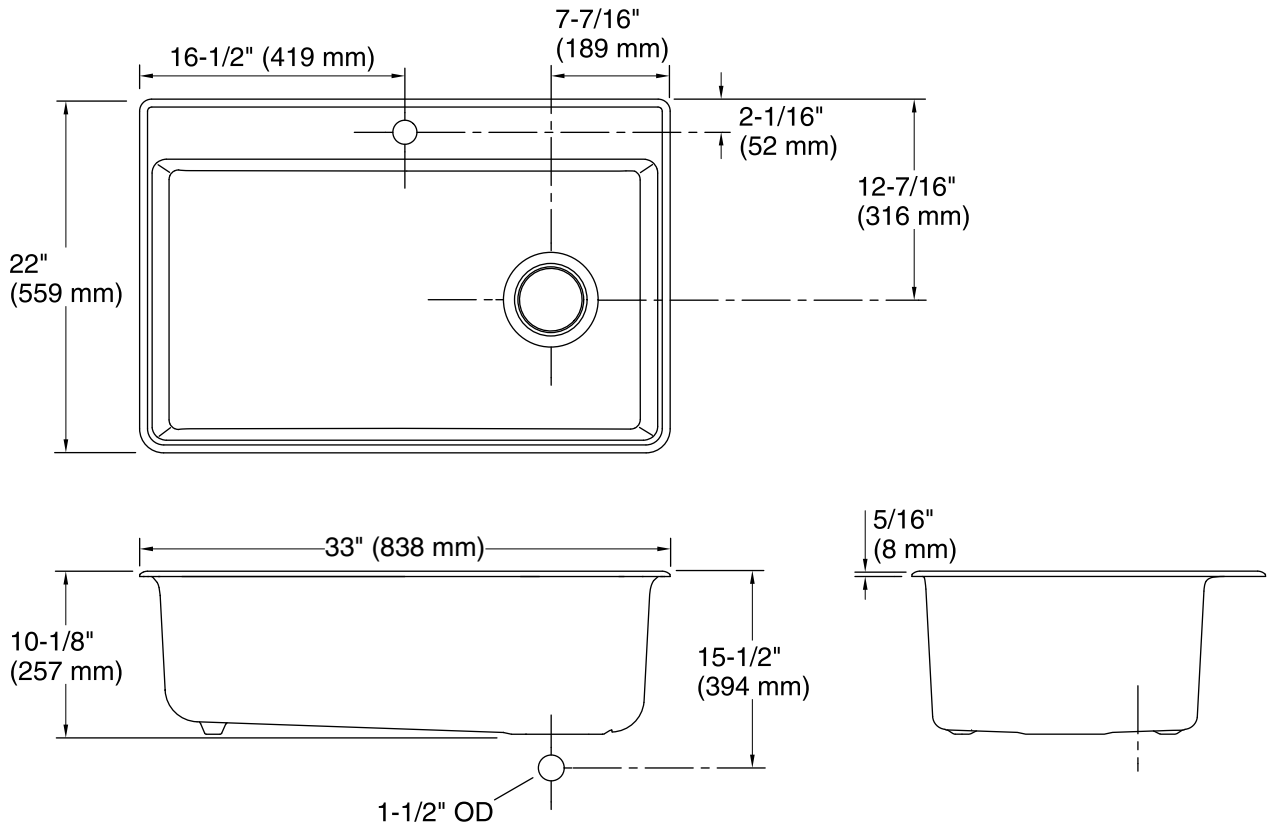
CSA B45.5/IAPMO Z124

See website for detailed warranty information.

### Available Color/Finishes

*Color tiles intended for reference only.*

Color	Code	Description
	CM1	Neoroc™ Matte Black
	CM2	Neoroc™ Matte Brown



### Technical Information

All product dimensions are nominal.

Bowl area	Length: 33-1/8" (841 mm)
	Width: 16-15/16" (430 mm)
	Bowl depth: 9-1/2" (241 mm)
	Water depth: 9-1/2" (241 mm)
Drain hole:	3-7/8" (98 mm)
Template:	1281757-7, required, included

### Notes

Install this product according to the installation instructions.