

### Features

- 24" (610 mm) slidebar length offers a custom shower at various heights.

### Material

- Finish is engineered to resist corrosion and daily wear.

### Installation

- Adjustable mounting brackets on slidebar provide installation flexibility.



ADA

CSA B651

OBC

### Codes/Standards

ASME A112.18.1/CSA B125.1

ADA

ICC/ANSI A117.1

CSA B651

OBC

### KOHLER® Faucet Lifetime Limited Warranty

See website for detailed warranty information.

### Available Color/Finishes

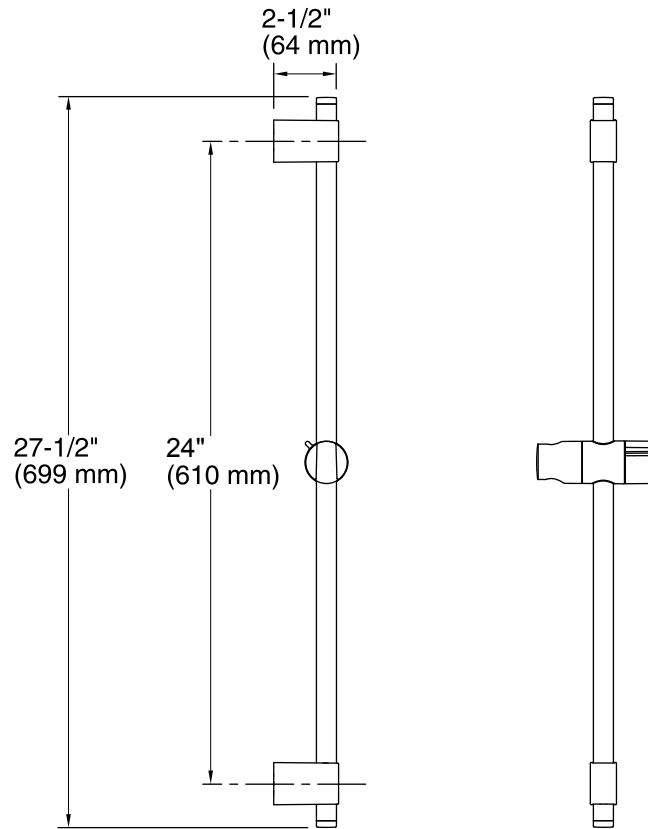
*Color tiles intended for reference only.*

Color	Code	Description
-------	------	-------------



CP	Polished Chrome
----	-----------------

BN	Vibrant® Brushed Nickel
----	-------------------------



### Technical Information

All product dimensions are nominal.

### Notes

Install this product according to the installation guide.

Mount the slidebar to stud framing or install backing support.

For tile or other solid finish surfaces: Pre-drill mounting holes through surface material only; do not drill into the stud.

For drywall surface: No pre-drill is required.

NOTE: The mounting brackets can be adjusted to align with existing holes for retrofit installations.

ADA, OBC, CSA B651 compliant when installed to the specific requirements of these regulations.