

### Features

- Katalyst® Spray Technology with air induction ball joint (patent pending).
- Single-function spray with 48 individual MasterClean™ spray nozzles.
- Push-button diverter.
- Three color options included for the bath spout outlet and showerhead trim ring - white, green, or black.
- Requires a Rite-Temp® valve.
- Complements Toobi® Suite.
- 2.0 gal/min (7.6 l/min) maximum flow rate.

### Material

- Metal construction.

### Required Accessories

K-304/K-P304 Series Rite-Temp® Valves

or

K-2971-KS 3/4" Pressure-balancing Valve

or

K-11748 Series Rite-Temp® Valves

### Recommended Accessories

1151968 Roughing-In Kit



### Codes/Standards

ASME A112.18.1/CSA B125.1

DOE - Energy Policy Act 1992

EPA WaterSense®

California Energy Commission (CEC)

### KOHLER® Faucet Lifetime Limited Warranty

See website for detailed warranty information.

### Available Color/Finishes

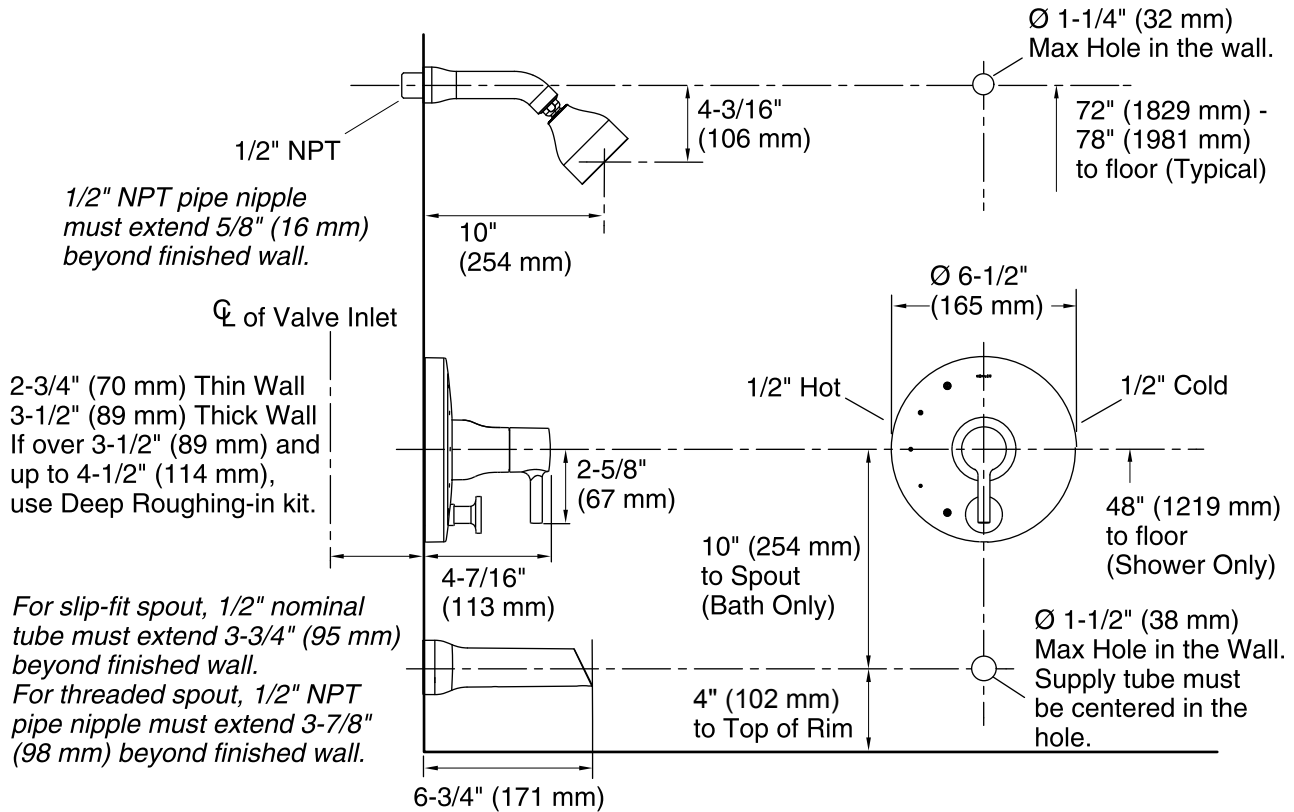
*Color tiles intended for reference only.*

Color	Code	Description
-------	------	-------------



CP	Polished Chrome
----	-----------------

BN	Vibrant® Brushed Nickel
----	-------------------------



### Technical Information

All product dimensions are nominal.

#### Spout:

Spout reach: 6-3/4" (171 mm)

#### Showerhead:

Rated maximum flow: 2 gal/min (7.6 l/min)

Pressure: 80 psi (5.5 bar)

### Notes

For use with automatic compensating valves rated at 1.7 gal/min (6.4 l/min) or less.

Install this product according to the installation guide.

Install Rite-Temp valve according to valve installation guide.

NOTICE: Risk of product damage. Long screws, for installing trim, can damage the K-2971-KS valve. Consult the trim installation guide to verify if the thin wall installation kit (88526) is needed.

Avoid cross-flow conditions. Do not install shut-off device on either valve outlet.

Install straight pipe or tube drop of 7" (178 mm) to 18" (457 mm) with single elbow between valve and wall-mount spout.