

*There is more than 1 version of this model.
Page down to identify the version you have.*

FAUCET DESCRIPTION

- Chrome plated solid brass construction
- Designed to be installed on 8" centers.
- Vandal resistant

OPERATION

- ADA compliant lever style handles with hot and cold water indicators
- Cycle time easily adjusted from 5 to 60 seconds, independent from water pressure
- Factory preset to automatically shut off after 10 seconds
- 1/2" IPS supply shanks


FLOW

- Vandal resistant 0.5 gpm max aerator limits water discharge to a maximum of .25 gpc (.95 L/cycle) @ 30 seconds

CARTRIDGE

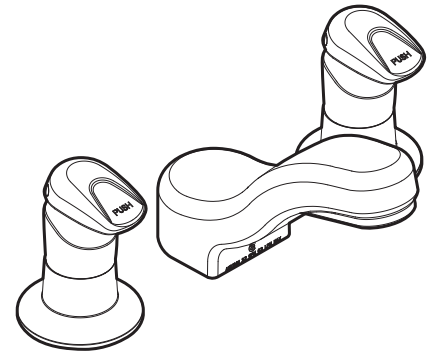
- 52100 brass shell cartridge
- Self contained metering mechanism which is separate from the potable water supply

STANDARDS

- Third party certified to ASME A112.18.1/CSA B125.1, and all applicable specifications referenced therein
- ADA  for lever handles
- CalGreen compliant

WARRANTY

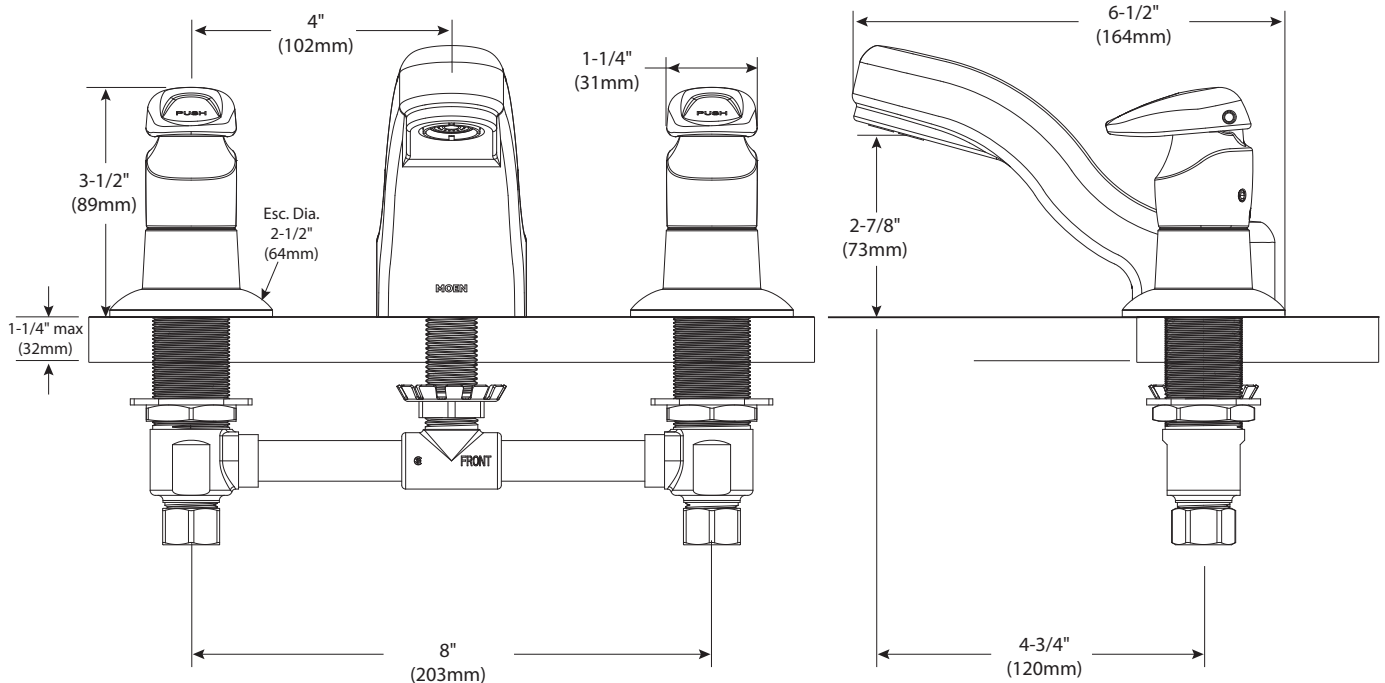
- Warranted for 5 years against material or manufacturing defects



Widespread ADA Metering Lavatory Faucet

Model: 8889 (Chrome)

NOTE: Spout installs through 1" min. dia. hole
Valves install through 1-1/8" min. dia. hole



CRITICAL DIMENSIONS

(DO NOT SCALE)

FAUCET DESCRIPTION

- Chrome plated brass construction
- 8" to 16" widespread metering faucet
- Vandal resistant

OPERATION

- ADA compliant lever style handles with hot and cold water indicators
- Cycle time easily adjusted from 10 to 60 seconds
- Factory preset to automatically shut off after 10 seconds at 80 psi
- 1/2" IPS supply shanks


FLOW

- Vandal resistant 0.5 GPM aerator limits water discharge to a maximum of .25 gpc (.95 L/cycle), 30 seconds max.

CARTRIDGE

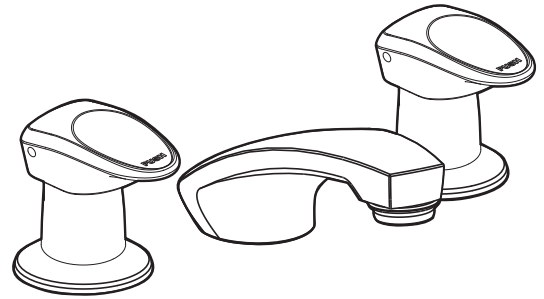
- 52100 brass cartridge design
- Nonmetallic and nonferrous material
- Self contained metering mechanism which is separate from the potable water supply

STANDARDS

- Third party certified to ASME A112.18.1/CSA B125.1, ICC-A117.1 and all applicable specifications referenced therein
- ADA  for lever handles

WARRANTY

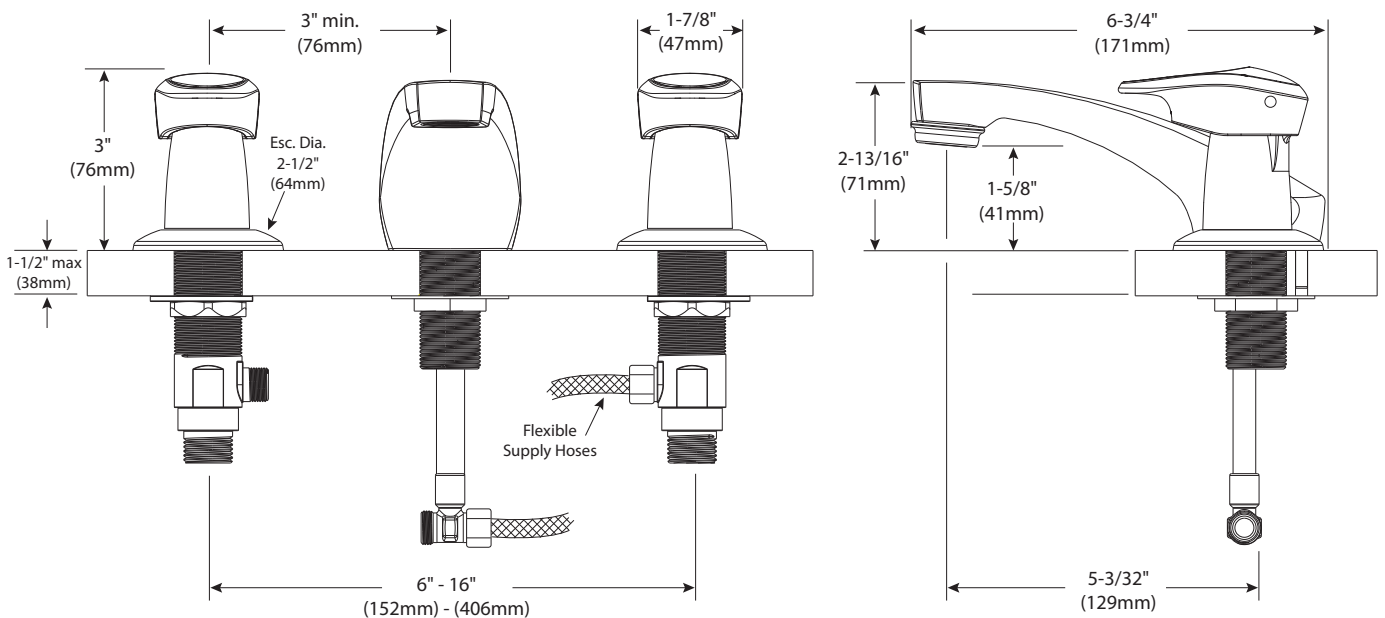
- Warranted for 5 years against material or manufacturing defects



Widespread ADA Metering Lavatory Faucet

Model: 8889 (Chrome)

NOTE: Spout installs through 1" min. dia. hole
Valves install through 1-1/8" min. dia. hole



CRITICAL DIMENSIONS

(DO NOT SCALE)