

MAAX SUBMITTAL SPECIFICATIONS

COMPACT COMBO ALCOVE ENCLOSED WITH PIVOT DOOR

MODEL NUMBER 420011-501 / 410019/ 137882

DIMENSIONS: 77" x 60" x Acrylic/Glass



Vivez l'expérience

MAAX®

Enjoy the experience

STANDARD FEATURES

- Multi-piece unit for easier installation and handling
- Shower base with integrated tiling flanges for a watertight connection between the shower and the bathtub
- Reversible bathtub and shower position
- Bathtub with or without armrests
- Sliding or pivot door with Lotus glass protection

OPTIONS

- Flexible waste and overflow
- Brass waste and overflow
- Designer handle
- Foam pillow with 2 suction pads
- Glass shelf

UNIQUE FEATURES

- Lotus Glass Protection

SYSTEMS

- None

DOOR SELECTION

Combine with MAAX's complete shower door offering visit www.maax.com

CERTIFICATIONS

Maax products adhere to one or more of the following certifications:



Project :
Contractor :
MAAX Representative : Tel :
Date :

www.maax.com

2018-01-08

MAAX SUBMITTAL SPECIFICATIONS

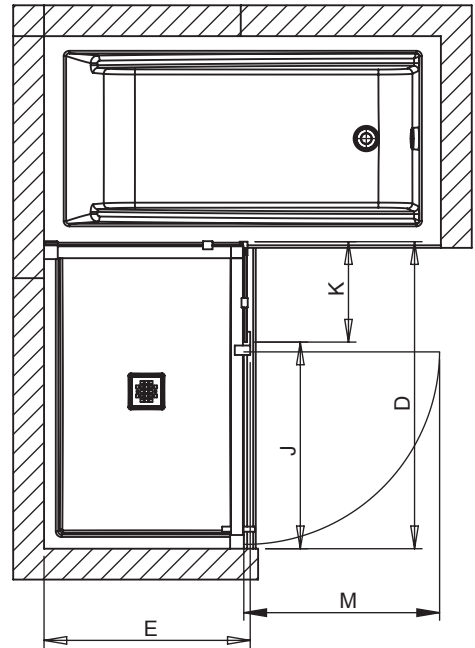
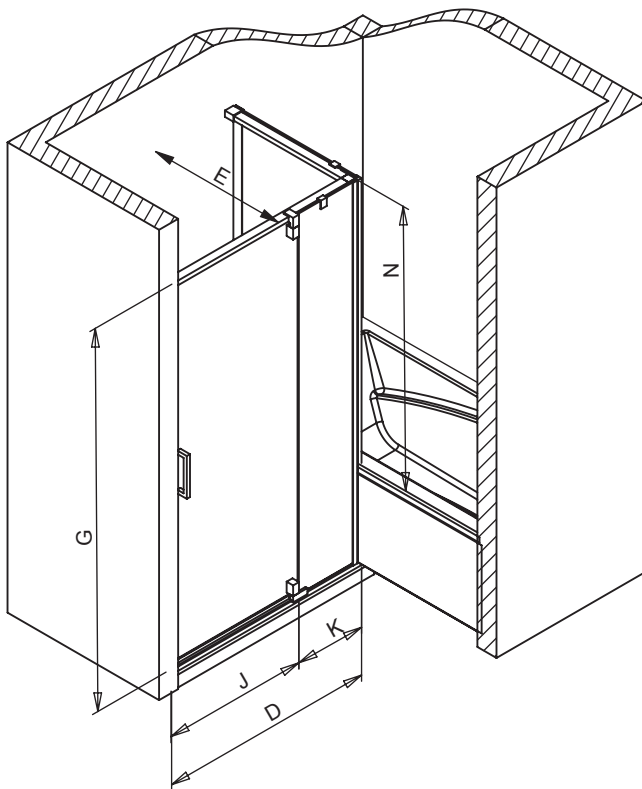
COMPACT COMBO ALCOVE ENCLOSED WITH PIVOT DOOR

MODEL NUMBER 420011-501 / 410019/ 137882

TECHNICAL DRAWINGS

All dimensions are approximate. Structure measurements must be verified against the unit to ensure proper fit.

ModuIR PIVOT SHOWER DOOR:
 COMPACT COMBOS (556/558)



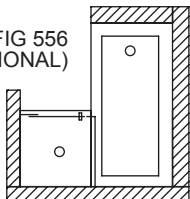
All complementary installations can be also build from the same listed product

CLOSED ON BATH (LEFT OR RIGHT)

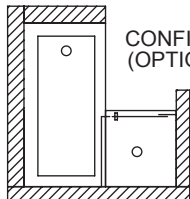
COMPACT COMBO CONFIGURATIONS

CLOSED ON PANEL (LEFT OR RIGHT)

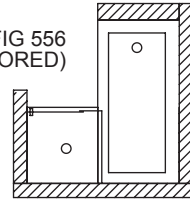
CONFIG 556 (OPTIONAL)



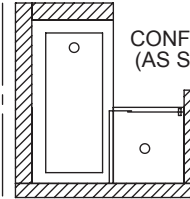
CONFIG 558 (OPTIONAL)



CONFIG 556 (MIRRORED)



CONFIG 558 (AS SHOW)



PRODUCT	BASE SIZE	G	D	E	J	K	M	N
		HEIGHT (top of glass)	WIDTH (min-max)	DEPTH (min-max)	DOOR ACCESS (maximum)	FIXED PANEL	ENCUMBRANCE	BATH PANEL HEIGHT
137882	48X32	78"	46-1/4" - 47-1/2"	30-1/8" - 31-3/8"	26-1/2"	15-1/4"	27-3/16"	58"
137886	60X32		58-1/4" - 59-1/2"			27-1/4"		