

# MAAX<sup>®</sup>

Enjoy. Every day.

## OUTLOOK™ BFS-60F SHOWER ADA COMPLIANT

## SUBMITTAL SHEET

MAAX.com



DATE: \_\_\_\_\_

JOB NAME: \_\_\_\_\_

CUSTOMER: \_\_\_\_\_

QUOTE #: \_\_\_\_\_

SHIP TO: \_\_\_\_\_

PO #: \_\_\_\_\_

PHONE #: \_\_\_\_\_

QTY: \_\_\_\_\_

SPECIAL NOTES: \_\_\_\_\_

\_\_\_\_\_/\_\_\_\_\_/\_\_\_\_\_  
PLUMBING CONTRACTOR APPROVAL      DATE

\_\_\_\_\_/\_\_\_\_\_/\_\_\_\_\_  
GENERAL CONTRACTOR APPROVAL      DATE

\_\_\_\_\_/\_\_\_\_\_/\_\_\_\_\_  
ENGINEER APPROVAL      DATE

\_\_\_\_\_/\_\_\_\_\_/\_\_\_\_\_  
ARCHITECT APPROVAL      DATE

**To complete your order, this document must be signed and faxed to the MAAX Order Desk nearest you.  
Please see reverse for fax number.**

INT. DIM.	60 X 30 X 76-3/4 (1524 X 762 X 1950)
EXT. DIM.	62-3/4 X 33-1/2 X 78-3/4 (1594 X 851 X 2000)
THRESHOLD HT.	1" (25 mm) skirt, No interior threshold
WEIGHT	195 lbs (88 kg) gross
WARRANTY	Fiberglass - Three years
CODE LISTED	ADA
STANDARD FEATURES	<ul style="list-style-type: none"> <li>• Reinforced unit</li> <li>• Center drain</li> <li>• Textured bottom</li> </ul>

### INCLUDED OPTIONS

*Please specify colors/finishes when ordering*

- L-Shaped Fold-Up Seat:
  - Naugahyde (381)    Phenolic (382)    Left    Right
- 24-in. Straight Grab Bar:
  - White (001)    Stainless Steel (106)
- 42-in. Straight Grab Bar:
  - White (001)    Stainless Steel (106)
- 60-in. Curtain Rod with Grommets: Stainless Steel (106)
- 60-in. White Vinyl Shower Curtain with Stainless Steel Hooks (106)
- Solid brass drain with stainless steel grid. Quick caulk seal fits a 2 in. schedule 40 steel or plastic pipe.

### ADDITIONAL ACCESSORIES AND OPTIONS<sup>1</sup>

*Please specify colors/finishes when ordering*

- Straight Grab Bar**
  - 12 in.    18 in.    24 in.    30 in.    42 in.    48 in.
  - White (001)    Stainless Steel (106)
- Horizontal L-Shaped Grab Bar**
  - White (001)    Stainless Steel (106)
- Built-In Soap Dish\***
  - White (001)    Stainless Steel (106)
- Pressure Balance Mixing Valve with**
  - 1-function Hand-Held Shower including Slide Bar with 60-in. Hose and Vacuum Breaker: Chrome (084)\*
  - 24-in. Slide Bar    36-in. Slide Bar

\* Pressure balance mixing valve and soap dish are not factory installed.

<sup>1</sup>Please indicate custom positionings on reverse side drawings. Additional charges may apply.

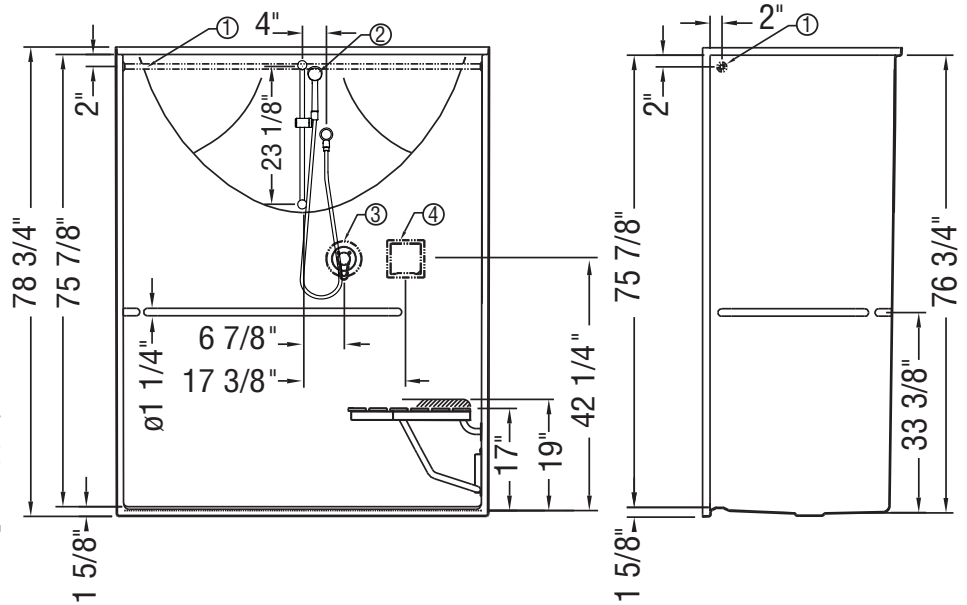
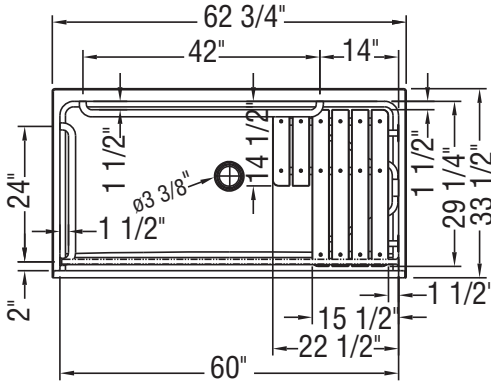


**Please indicate custom positionings\***

\* Repositioning the grab bar or seat outside of the compliant zones render the unit no longer compliant. Consult code regulations.

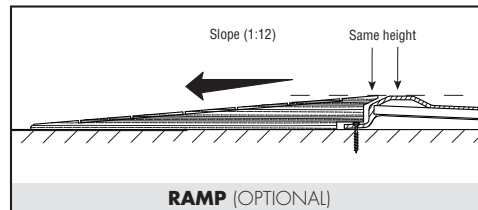
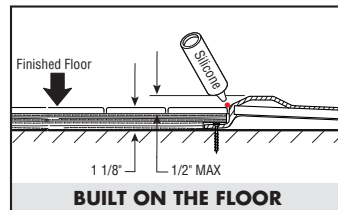
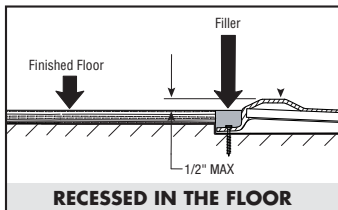
**Right-hand model shown.**

Unless otherwise specified, the option and grab bar positioning is pre-determined by the seat location; please specify seat location when ordering (R/L).

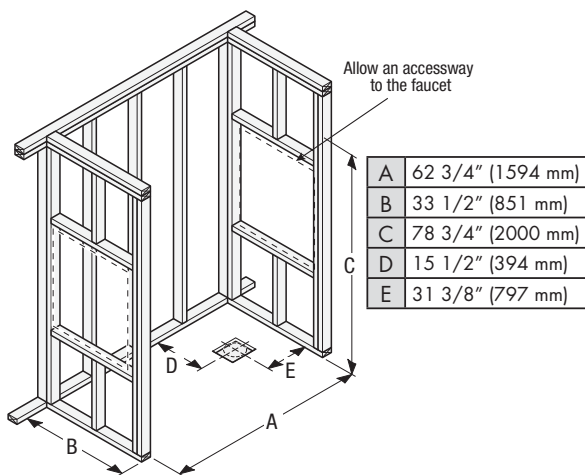


- ① Curtain rod (included)
- ② Hand-held shower (slide bar factory installed)
- ③ Pressure valve (not factory installed)
- ④ Soap dish (not factory installed)

**THRESHOLD INSTALLATIONS**



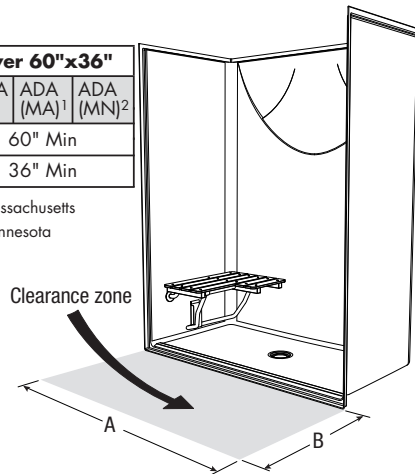
**FRAMING**



**CLEARANCE**

Shower 60"x36"		
	ADA (MA) <sup>1</sup>	ADA (MN) <sup>2</sup>
A	60" Min	
B	36" Min	

<sup>1</sup> (MA) Massachusetts  
<sup>2</sup> (MN) Minnesota



**INSTALLATION WARNING**

Due to possible water leaks between the lip of the shower and the curtain, MAAX recommends the installation of a floor drain outside the unit, in rooms where the units will be installed. All our showers have an inside curb of 1/2" (13mm) height applicable to a transfer type use, precisely for the ADA standards.

**Important:** The finished height of the threshold must comply with the following Canadian and American standards;

- Canada: height from 6 mm to 13 mm according to CAN/CSA B651 (Accessible and Usable Buildings and facilities).
- U.S.: 1/2" maximum height according to ADA/ANSI A117.1 (Accessible and Usable Buildings and facilities).

This standard does not apply to tub-showers.

Please fax to:

**MAAX Beauce, Quebec:** 1-800-201-8308  
**MAAX Lachine, Quebec:** 1-888-361-2045  
**MAAX Armstrong, British Columbia:** 1-888-514-4442