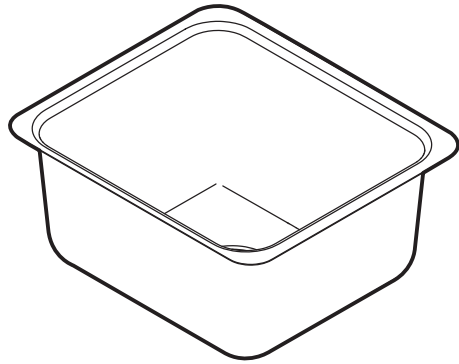




Buy it for looks. Buy it for life.®



Specifications

Model Number	Depth-Inches	Drain Placement	Model Specified
G18442	10	Center	
G18443	8	Center	

SINK DESCRIPTION

- 1800 Series single bowl undermount sink
- 18 gauge stainless steel, Brushed finish
- Center drain location
- Mounting brackets included, other standard mounting hardware and silicone sealant not included
- SoundSHIELD sound absorbing system

CUT OUT DIMENSIONS

- Template included - template number 22505

STANDARDS

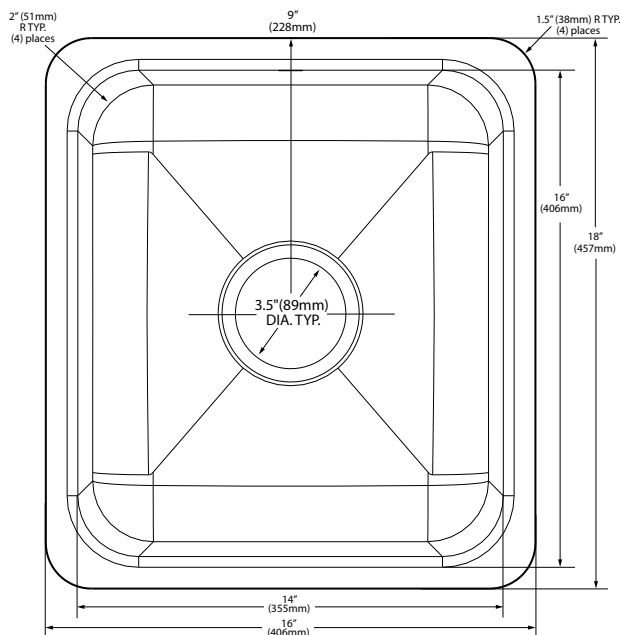
- Third party certified by IAPMO to meet ASME A112.19.3 and all applicable specifications referenced therein

WARRANTY

- Limited lifetime warranty against material or manufacturing defects to the original consumer purchaser

CRITICAL DIMENSIONS

(DO NOT SCALE)



MADE IN THE USA

Installation Detail

