

FAUCET DESCRIPTION

- Chrome plated brass construction
- Less spout
- 1/2" IPS connections


OPERATION

- 4" wrist blade handles with hot and cold color indicators and vandal resistant screws

CARTRIDGE

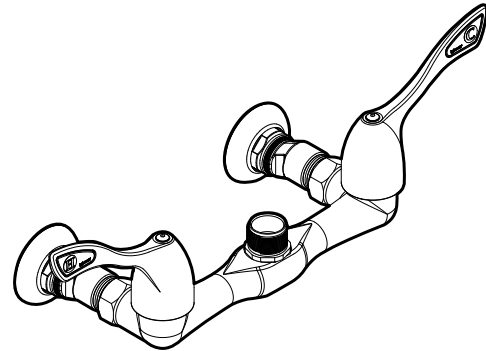
- Ceramic 28mm cartridge design
- Nonmetallic and nonferrous material
- 1/4 turn operation

STANDARDS

- Third party certified to meet ASME A112.18.1/CSA B-125.1 and all applicable specifications referenced therein
- Certified to NSF 61/9
- Complies with California Proposition 65 and with the Federal Safe Drinking Water Act
- ADA  for lever handles

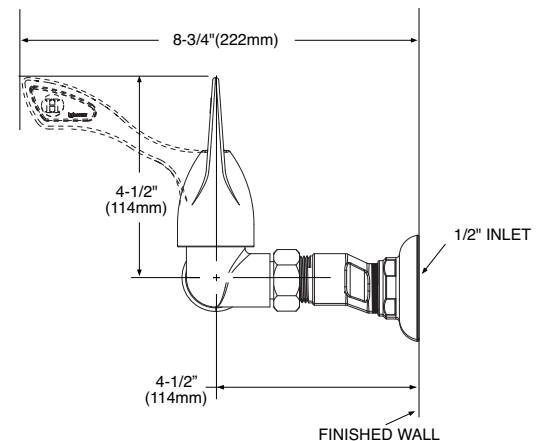
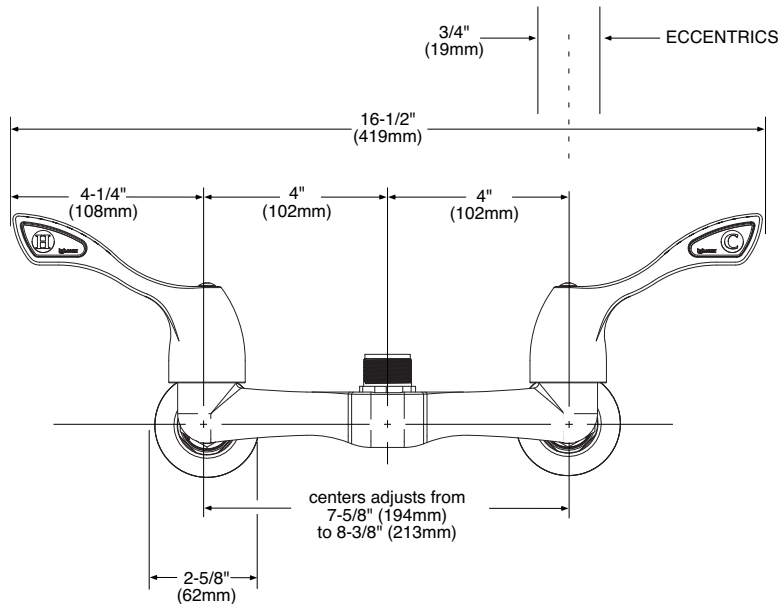
WARRANTY

- Warranted for five years against material or manufacturing defects



Two-Handle Wall Mount Faucet

Model: 8121



CRITICAL DIMENSIONS

(DO NOT SCALE)