



Buy it for looks. Buy it for life.®

Specifications



| Model Number | Faucet Holes | Depth-Inches | Drain Placement | ADA/FHA Compliant* |
|-----------------------------|--------------|--------------|-----------------|--------------------|
| G20210 <i>(pictured)</i> | N/A | 7-1/2" | Center | No |
| G20210B | N/A | 7-1/2" | Rear | No |
| G20213B | N/A | 6-1/2" | Rear | Yes |
| G20214 | N/A | 6" | Center | No |
| G20214B | N/A | 6" | Rear | Yes |
| G20216B | N/A | 5-1/2" | Rear | Yes |

SINK DESCRIPTION

- 2000 Series double bowl undermount sink
- 20 gauge stainless steel, brushed finish
- Mounting brackets included, no other hardware included
- SoundSHIELD™ sound absorbing system

WARRANTY

- Lifetime limited warranty to the original homeowner
- 10 year limited warranty when used in a Multi-family installation
- 5 year limited warranty when used in a Commercial installation
- Visit www.moen.com/customer-support/warranty for complete details and limitations

SINK DIMENSIONS

- Overall: 31-1/4" x 18"
- Left Bowl: 14" x 16"
- Right Bowl: 14" x 16"
- Drain Size: 3-5/8"

CUT OUT DIMENSIONS

- Cut out template included
- Template ordering number 22508

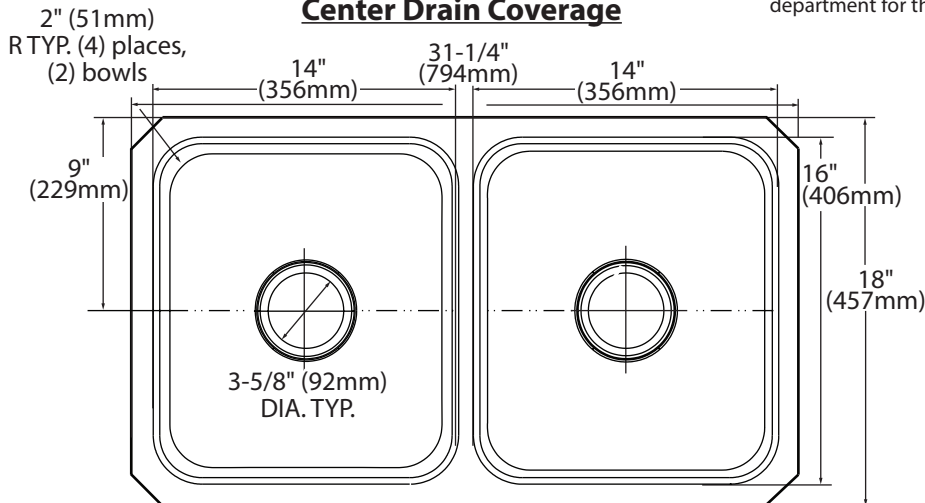
STANDARDS

- Third party certified to meet ASME A112.19.3/CSA B45.4 and all applicable specifications referenced therein
- ***ADA/FHA** Sink compliant to ADA (ICC A117.1) and FHA accessibility specifications when installed to these required standards. Always consult with your local building department for the specific installation requirements.
- ***FHA** Sink compliant to FHA accessibility specifications when installed to these required standards. Always consult with your local building department for the specific installation requirements.

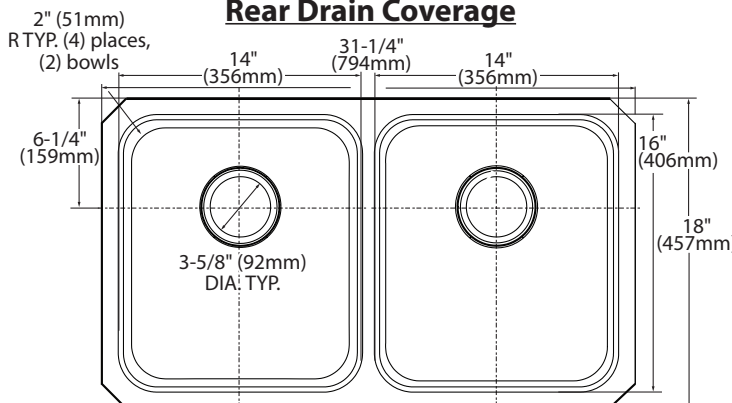
CRITICAL DIMENSIONS

(DO NOT SCALE)

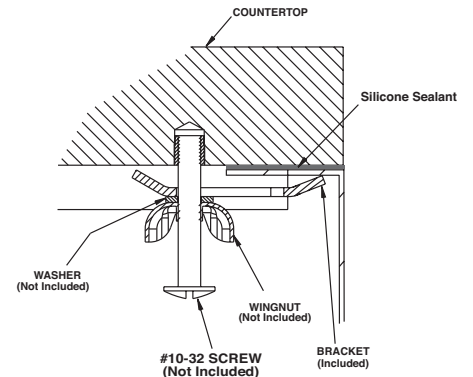
Center Drain Coverage



Rear Drain Coverage



Installation Detail



MADE IN THE USA