

Model Number	Faucet Holes	Depth-Inches	Drain Placement	ADA/FHA Compliant*
G2245622B	2	5-1/2"	Rear	Yes



### SINK DESCRIPTION

- 2200 Series double bowl drop in sink
- 22 gauge stainless steel, matte bowl finish
- U-channel mounting system
- SoundSHIELD™ sound absorbing system

### WARRANTY

- Lifetime limited warranty to the original homeowner
- 10 year limited warranty when used in a Multi-family installation
- 5 year limited warranty when used in a Commercial installation
- Visit [www.moen.com/customer-support/warranty](http://www.moen.com/customer-support/warranty) for complete details and limitations

### SINK DIMENSIONS

- Overall: 15" x 15"
- Bowl: 12-1/4" x 10-1/4"
- Drain Size: 2"
- Faucet Holes
  - 1-3/8" (35mm) diameter
  - 4" (102mm) center

### CUT OUT DIMENSIONS

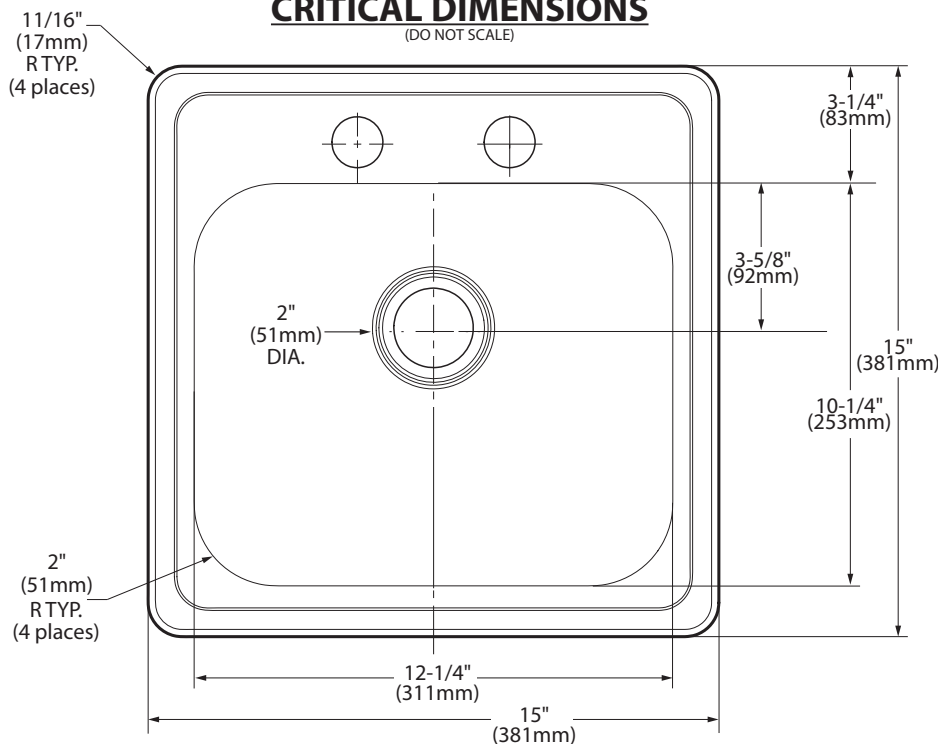
- 14-1/2" x 14-1/2" with 11/16" corner radius, tolerance of plus or minus 1/16" is acceptable

### STANDARDS

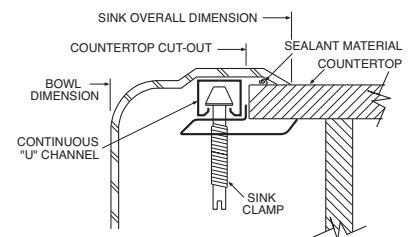
- Third party certified to meet ASME A112.19.3/CSA B45.4 and all applicable specifications referenced therein
- \*ADA/FHA Sink compliant to ADA (ICC A117.1) and FHA accessibility specifications when installed to these required standards. Always consult with your local building department for the specific installation requirements.

### CRITICAL DIMENSIONS

(DO NOT SCALE)



### Installation Detail



MADE IN THE USA