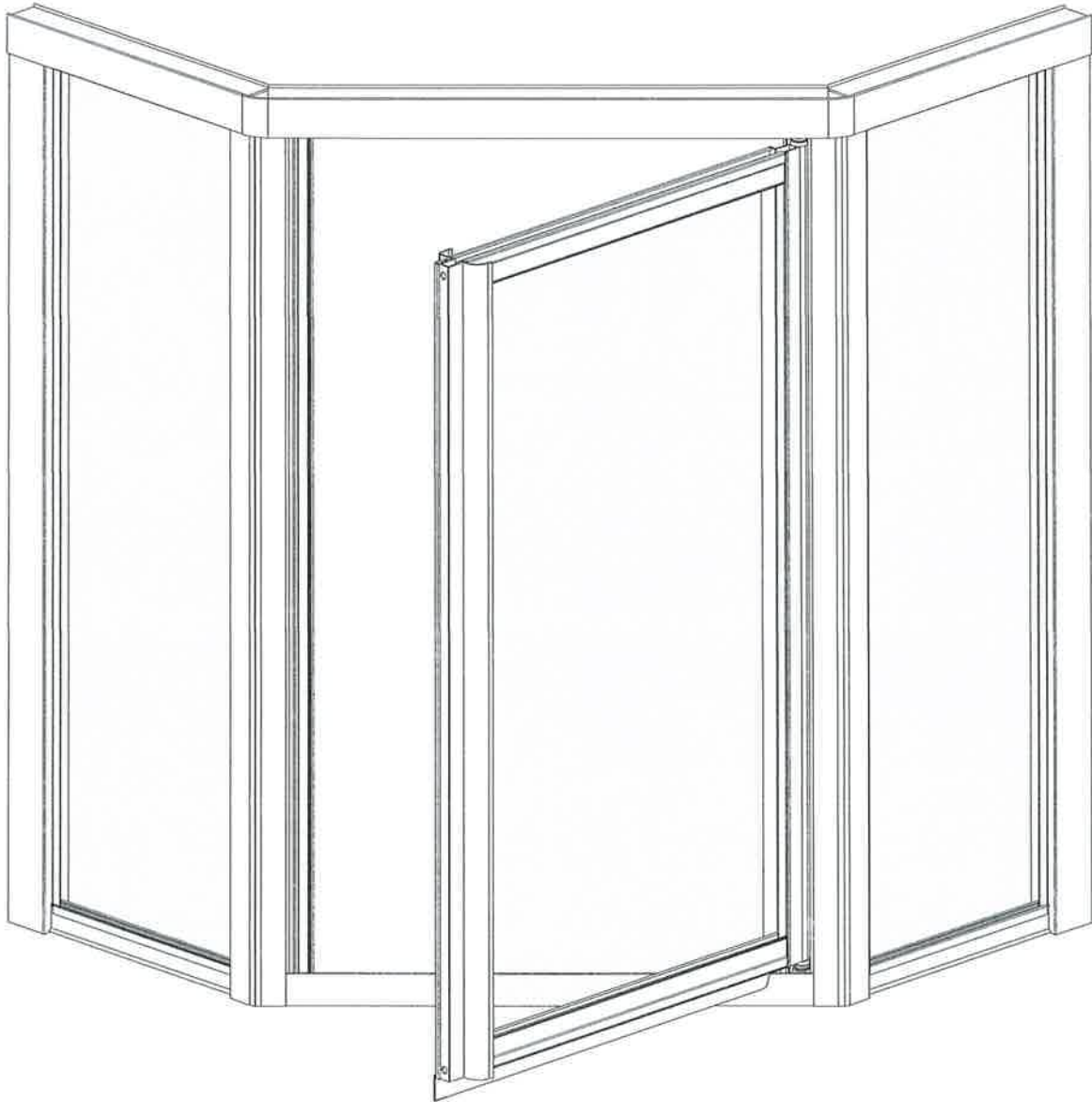


E. L. MUSTEE & SONS, INC.

5431 West 164th Street Cleveland, Ohio 44142

Stylmate

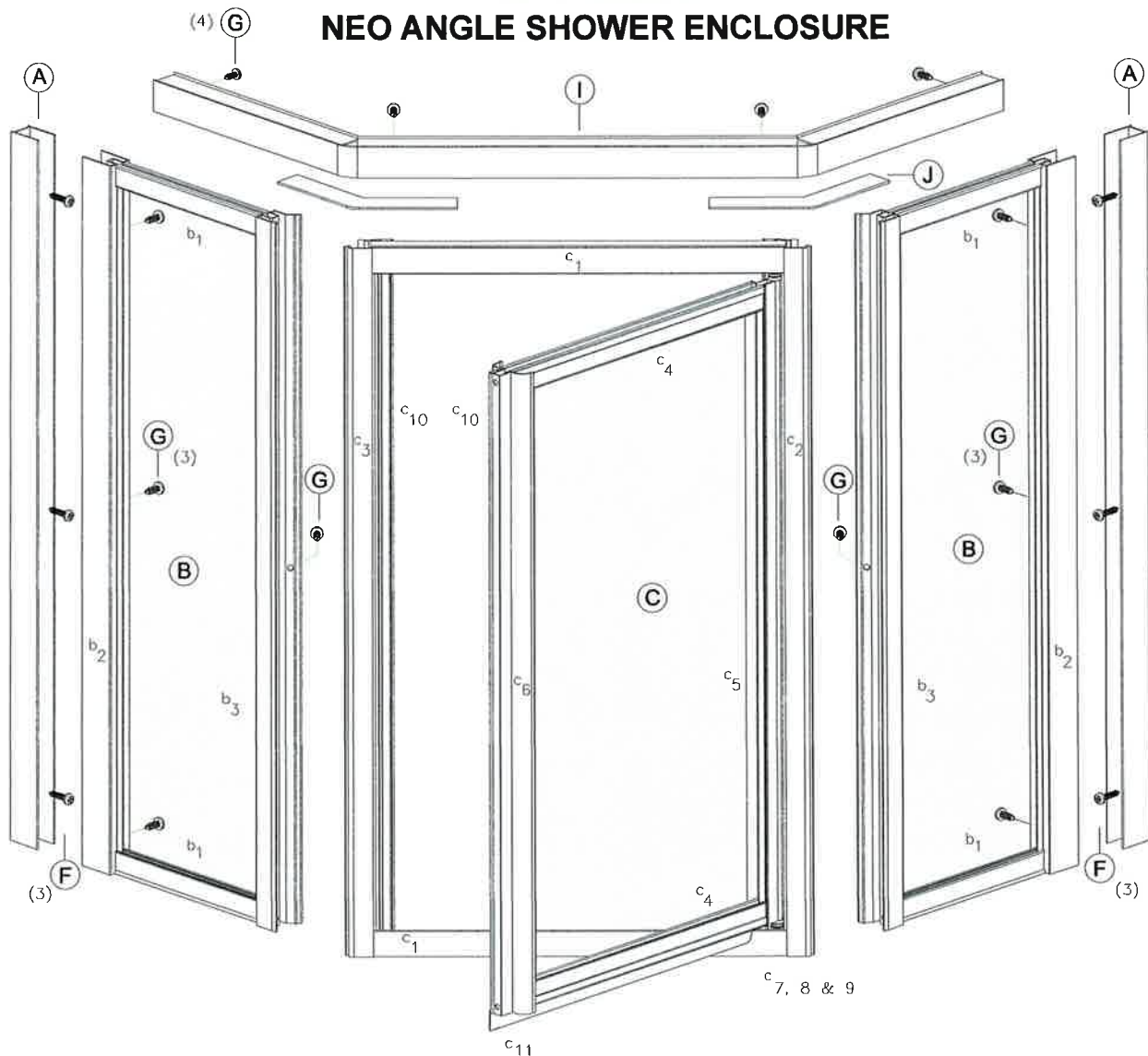
NEO-ANGLE SHOWER ENCLOSURE INSTALLATION INSTRUCTIONS



Should you have any problems with
this Shower Door, please contact us at:

**COASTAL
INDUSTRIES INC.**
P.O. Box 16901
Jacksonville FL 32245
Phone: 1-800-874-8601
Fax: 1-904-641-1697

STYLEMATE NEO ANGLE SHOWER ENCLOSURE



KEY LETTER	PART NUMBER	DESCRIPTION	QTY	KEY LETTER	PART NUMBER	DESCRIPTION	QTY
A	401	WALL JAMB	2	D	---	(designation not used)	-
B	---	<u>SIDE PANEL ASSEMBLIES</u>	2	E	---	(designation not used)	-
b1	235	SIDE PANEL RAILS	4	F	834Q	#8 x 3/4" PAN HEAD PHILLIPS SCREW	6
b2	404	SIDE PANEL EXPANDER	2	G	812QPT	#8 x 1/2" COMBO PAN TEK SCREW	12
b3	407	SIDE PANEL CORNER POST	2	I	447	HEADER CAP	1
b4	6112PHS	SIDE PANEL ASSEMBLY SCREW (not shown)	8	J	247B	HEADER CAP ANGLE BRACKETS	2
b5	C 154 B	SIDE PANEL GLAZING VINYL (not shown)	-				
C	---	<u>DOOR FRAME ASSEMBLY</u>					
c1	440	DOOR FRAME HEADER / SILL	2				
c2	441	DOOR FRAME PIVOT POST	1				
c3	441	DOOR FRAME STRIKE POST	1				
c4	227	DOOR PANEL FRAMES	2				
c5	429	DOOR PANEL PIVOT STILE	1				
c6	226	DOOR PANEL STRIKE STILE	1				
c7	CP201	PIVOT PIN (not shown)	2				
c8	CP209	PIVOT BUSHING	2				
c9	FW 10-093	PLASTIC PIVOT WASHER	2				
c10	98-42	MAGNETIC STRIPS	2				
c11	C 176 B	VINYL SWEEP	1				
c12	6112PHS	DOOR FRAME ASSEMBLY SCREW (not shown)	4				
c13	6112PHS	DOOR PANEL ASSEMBLY SCREW (strike side)	2				
c14	5112FHSL	DOOR PANEL ASSEMBLY SCREW (pivot side)	2				
c15	C 173 B	DOOR GLAZING VINYL (not shown)	-				

STEP 1
Positioning Wall Jamb

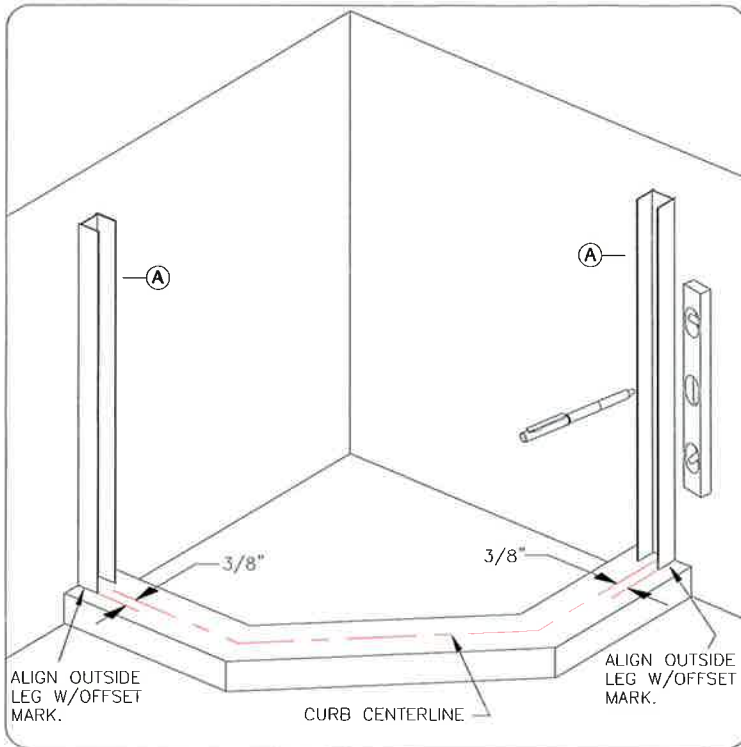


Fig. 1

Determine the curb centerline, then offset and mark a line 3/8 of an inch toward the outside of shower as shown in figure 1.

Separate the Wall Jamb (A) from their respective End Panels (B) as shown in exploded view.

Place Wall Jamb (A) up against shower walls . . . aligning their outside legs with the offset mark previously marked on base ledge.

Use a level to plumb Wall Jamb (A). Then using a felt tip pen, make a mark on the shower walls thru each of the three (3) installation holes. Remove Wall Jamb (A) and lightly center punch installation hole locations.

Using a 1/8" drill bit, drill 1" deep installation holes in the locations previously marked.

STEP 2
Installing Wall Jamb

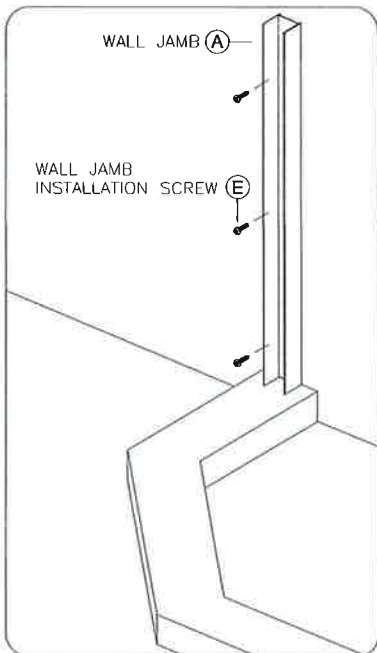


Fig. 2

Reposition Wall Jamb (A) against shower walls. Re-align the Wall Jamb holes with the installation holes drilled in the shower walls. Secure each Wall Jamb (A) with three (3) #8 x 3/4" pan head screws (F).

STEP 3
Installing Side Panels

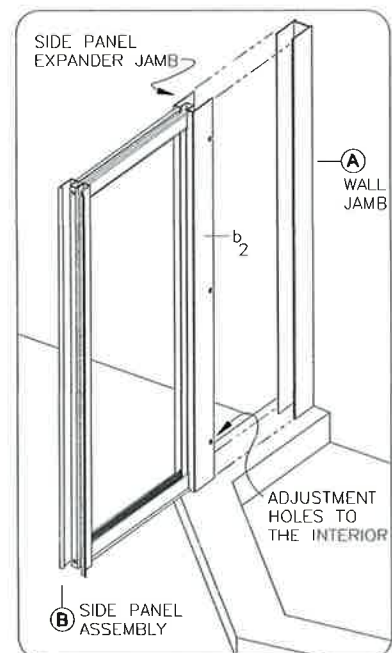


Fig. 3

Lift Side Panel (B) onto base ledge and slide Panel Expander Jamb (b2) over Wall Jamb (A). Insure that Expander Jamb adjustment holes are toward the interior of the shower. Repeat step for other side.

STEP 4
Door Frame Installation

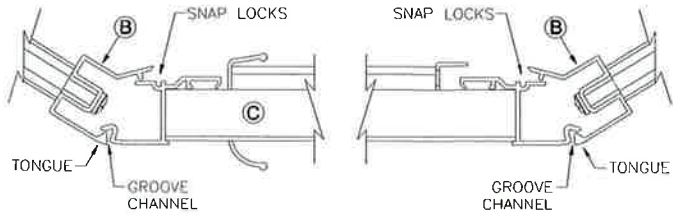


Fig. 5a

Place the Door Assembly (C) between the Panel Assemblies (B) as shown.

Starting with the pivot side first . . . engage the full length of the Panel Assembly tongue with the Door Assembly groove channel as shown in figure 5a. Snap the Door and Panel assemblies together. Make sure that Door and Panel assemblies are secured their entire length. Repeat step for the other side.

Secure the Panel Assemblies to the Door Frame Assembly using one pan head screw (G) at strike side and one at pivot side as shown below (a pre-drilled adjustment hole is provided for each side to facilitate this procedure).

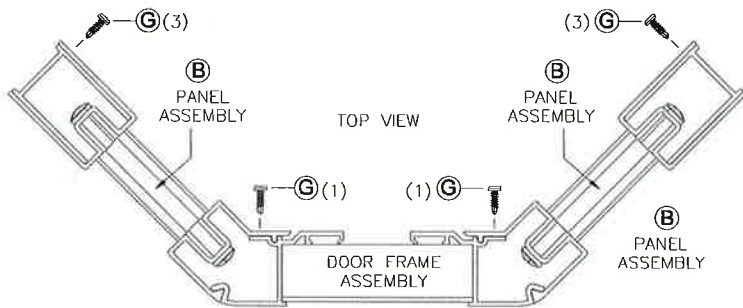


Fig. 5b

Center shower enclosure on base ledge. Using the Panel Expander Jamb's pre-drilled adjustment holes as guides . . . fasten Side Panels (B) to Wall Jamb's (A) using three (3) #8 x 1/2" self drilling panel adjustment screws (G) as shown in figure above.

STEP 5
Bend, Brace and Install Header

Bend the Header into shape as shown in step 6. Now brace the Header by pressing the braces (J) onto the header corners as shown. Install the Header over the unit and secure to unit using four self drilling screws (G), see explode view - sht 2. Trimming of Header may be required, if so, trim ends as required.

STEP 6
Caulk for a leak proof installation

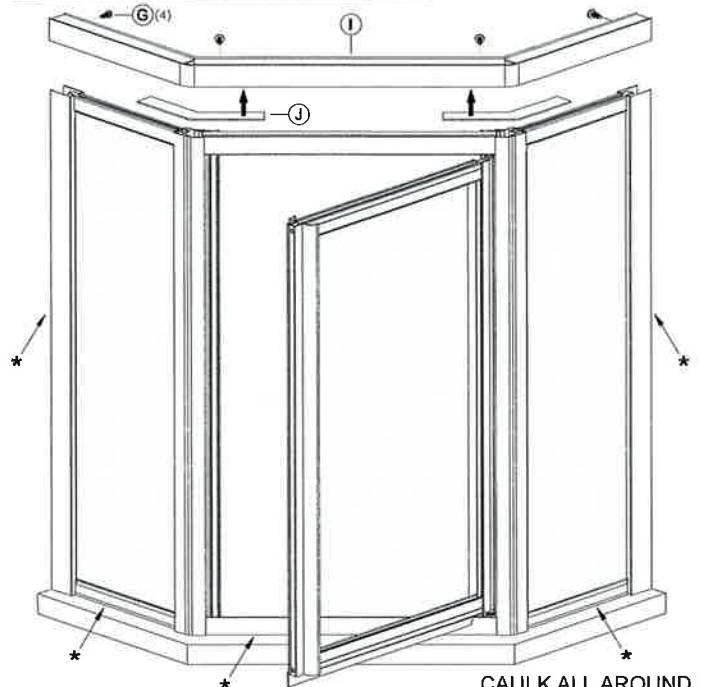


Fig. 6

CAULK ALL AROUND WHERE UNIT MEETS BASE AND WALLS.

TO INSURE A LEAK PROOF INSTALLATION:

* **First:** Run a bead of clear mildew resistant caulking around the outside of shower enclosure where shower unit meets the shower base.

Carefully follow caulking manufacturer's instructions before using shower.