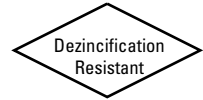


Bronze Ball Valves

Three-Piece Body • Full Port • Copper Stub Ends •
Type K (Straight) • Type L (Expanded) • Cleaned and
Bagged for OX Service • Bronze Trim • Blowout-Proof Stem



600 PSI/41.4 Bar Non-Shock Cold Working Pressure
200 PSI/13.8 Bar for Medical Gas

CONFORMS TO MSS SP-110

MATERIAL LIST

PART	SPECIFICATION
1. Handle Nut	Zinc Plated Steel
2. Handle	Zinc Plated Steel Clear Chromate Plastisol Coated
3. Threaded Pack Gland	Brass ASTM B 16 Alloy C36000
4. Stem	Silicon Bronze ASTM B 371 Alloy C69430 or ASTM B 99 Alloy C65100
5. Body	Bronze ASTM B 584 Alloy C84400
6. Packing	PTFE
7. Body End (2)	Bronze ASTM B 584 Alloy C84400
8. O-Ring Seal (2)	Fluoroelastomer Rubber
9. Seat Ring (2)	PTFE
10. Ball	Brass ASTM B 124 Alloy C37700 or ASTM B16 Alloy C36000 EACH with Hard Chrome Plate
11. Ground Washer	Stainless Steel ASTM A 167 Type 304
12. Thrust Washer	Reinforced PTFE
13. Body Bolts	Zinc Dichromate Plated Steel ASTM A 449 Grade 5
14. Body Nuts	Zinc Dichromate Plated Steel ASTM A 449 Grade 5
15. Straight Stub Out (2)	6" Copper Tube Type K
16. Expanded Stub Out (2)	6" Copper Tube Type L (Specify EC)

Note: Valves are static grounded by a grounding washer. (Not Shown)

Testing

The CS-595-YX series are tested to MSS SP-110. For applications that require a 150 PSI dry nitrogen test, please contact NIBCO Technical Services for pricing and availability. MSS SP-110 Test parameters are as follows:

Shell Test = 80 PSI air under water for 5 seconds or 1.5 x CWP hydrostatic for 15 seconds.

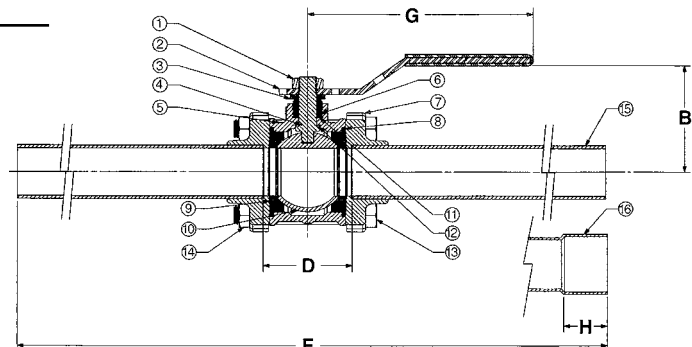
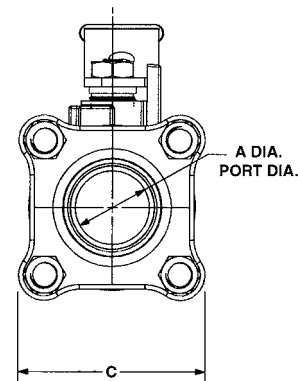
Seat Test = 80 PSI air under water for 5 seconds or 1.1 CWP hydrostatic for 15 seconds.

Oxygen Cleaning

NIBCO's internal cleaning procedure for cleaned and bagged bronze ball valves meets the requirements of NFPA99 and CGA Pamphlet G-4-1.



CS-595-YX-EC
Copper Stub Ends



CS-595-YX/CS-595-YX-EC
CSE x CSE

DIMENSIONS—WEIGHTS—QUANTITIES

Size	Dimensions								CS-595-YX/EC		Master Ctn. Qty.	
	A	B	C	D	F	G	H	Lbs.	Kg.			
In. mm.	In. mm.	In. mm.	In. mm.	In. mm.	In. mm.	In. mm.	In. mm.					
½	15 .50	13 1.69	43 1.81	46 1.11	28 1.11	333 13.11	333 13.33	3.91	99 .50	1.22	.55	10
¾	20 .75	19 2.00	51 1.94	50 1.41	36 13.41	341 4.66	118 .75	19 2.25	1.02	10		10
1	25 1.00	25 2.25	57 2.50	64 1.81	46 13.81	351 4.66	118 .91	23 3.23	1.47	10		10
1¼	32 1.25	32 2.75	70 2.69	68 1.96	50 13.96	355 6.69	170 .97	25 4.41	2.00	4		4
1½	40 1.50	38 2.97	75 3.00	76 2.39	61 14.39	366 6.69	170 1.09	28 6.61	3.00	4		4
2	50 2.00	51 3.63	92 4.00	102 3.04	77 15.04	382 6.69	170 1.34	34 11.67	5.29	4		4