

# Fig. 95C Frostproof Sillcock

Chrome Plated Brass Body • 180° Turn • Ceramic Seats •  
Built in Lockshield • Flow Indicator on Metal Handwheel

IAPMO LISTED • UPC • ASSE 1019-C •  
ASME A112.18.1/CSA B125.1

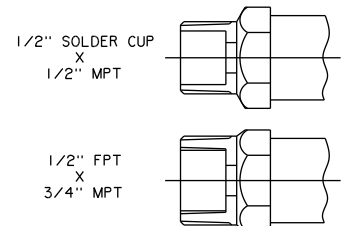
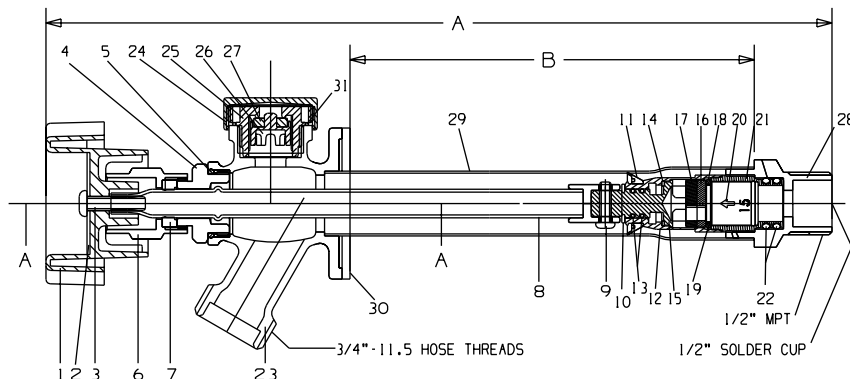
## MATERIAL LIST

PART	SPECIFICATION
1. Handwheel	Aluminum B85 Epoxy Coated
2. ID Plate	Aluminum
3. Screw	Brass B16 C36000
4. Bonnet	Brass B16 C36000
5. O-Ring	NBR
6. Lockshield	Brass B16 C36000
7. Washer Seal	NBR
8. Stem	Brass B135 C33000
9. Screw	304 SS
10. V-Clip	304 SS
11. V-Cup Seal	NBR
12. Housing	Brass B16 C36000
13. O-Ring	NBR
14. Seal Washer	PTFE
15. Inner Stem	Brass B16 C36000
16. Seat 180°	Ceramic
17. Movement 180°	Ceramic
18. Washer	Silicon Rubber
19. Washer	Brass B16 C36000
20. Spring Check Valve	304 SS
21. Valve Base	Brass B16 C36000
22. O-Ring	FKM
23. Cast Body	Brass B584 C85700
24. Vent Cap	POM - Chrome Plated
25. Vent Body	POM
26. Poppet	POM
27. Vent Seat	NBR
28. Inlet End	Brass B16 C36000
29. Body Tube	Brass B135 C33000
30. Siding Plate	Plastic
31. O-Ring	NBR



## DIMENSIONS — WEIGHTS

Size (In.)	A	B	Wt. Lbs.	Size (In.)	A	B	Wt. Lbs.
1/2 x 4	9 3/4	4	1.28	3/4 x 4	9 3/4	4	1.31
1/2 x 6	11 3/4	6	1.37	3/4 x 6	11 3/4	6	1.40
1/2 x 8	13 3/4	8	1.44	3/4 x 8	13 3/4	8	1.47
1/2 x 10	15 3/4	10	1.49	3/4 x 12	17 3/4	12	1.62
1/2 x 12	17 3/4	12	1.54				
1/2 x 14	19 3/4	14	1.60				



**NOT FOR USE WITH POTABLE DRINKING WATER APPLICATIONS AFTER JANUARY 3, 2014.**