

Class 125 Iron Body Gate Valves

Bolted Bonnet • Outside Screw and Yoke • Solid Wedge • Bronze Mounted

125 PSI/8.6 Bar Saturated Steam to 353° F/178° C
200 PSI/13.8 Bar Non-Shock Cold Working Pressure
to -20° F to 150° F/-29° C to 66° C ◆

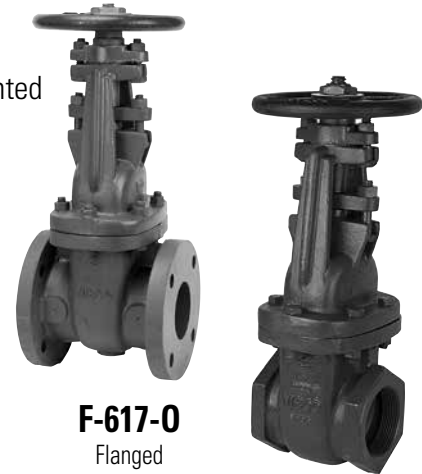
CONFORMS TO MSS SP-70

MATERIAL LIST

PART	SPECIFICATION
1. Stem	Brass ASTM B16 Alloy C36000
2. Handwheel Nut	Cast Bronze ASTM B584 Alloy C84400
3. Identification Plate	Aluminum
4. Yoke Bushing	Cast Bronze ASTM B584 Alloy C84400
5. Handwheel	Cast Iron ASTM A126 Class B
6. Bonnet Cap Nut	Steel ASTM A563
7. Bonnet Cap	Ductile Iron ASTM A536
8. Bonnet ¹	Cast Iron ASTM A126 Class B
9. Bonnet Cap Bolt	Steel ASTM A307
10. Gland Follower Nut	Steel ASTM B563
11. Gland Follower	Ductile Iron ASTM A536
12. Packing Gland	Zinc Plated Powdered Iron ASTM B783 or Brass ASTM B16 Alloy C36000
13. Packing	Synthetic Fibers with Graphite
14. Gland Follower Bolt	Steel ASTM A307
15. Backseat Bushing	Cast Bronze ASTM B584 Alloy C84400
16. Body Nut	Steel ASTM A563
17. Body Bolt	Steel ASTM A307
18. Wedge Pin	ASTM B140 Alloy C31600
19. Body	Cast Iron ASTM A126 Class B
20. Seat Ring	Cast Bronze ASTM B584 Alloy C84400
21. Wedge Face Ring	Cast Bronze ASTM B584 Alloy C84400
22. Wedge ²	Cast Iron ASTM A126 Class B
23. Body Gasket	Synthetic Fibers
24. Stem Collar	Brass ASTM B16 Alloy C36000

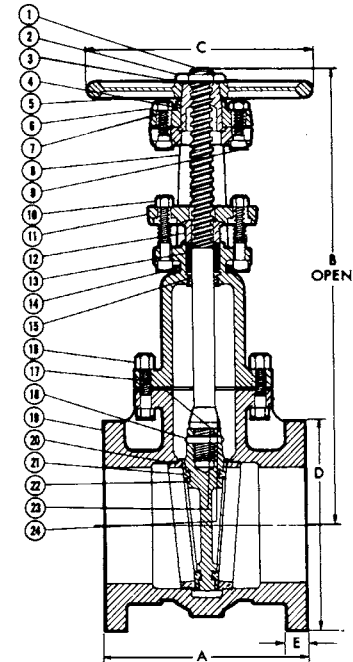
¹ Sizes thru 8" made with Yoke Integral with Bonnet. 10" and 12" sizes made with separate Yoke Bolted to Bonnet.

² Sizes 2" thru 6" are all Bronze Wedges. Sizes 8" thru 12" made with Cast Iron Wedge with Bronze Wedge Face Rings.

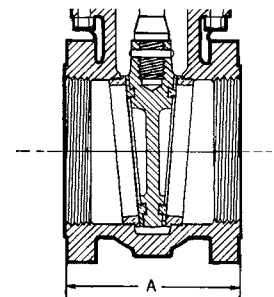


F-617-0
Flanged

T-617-0
Threaded



F-617-0
Flg x Flg



T-617-0
NPT x NPT

DIMENSIONS—WEIGHTS—QUANTITIES

Dimensions																	
Size	F-617-0		T-617-0		B	C	D	E	F-617-0		T-617-0						
	A	A	A	A					Lbs.	Kg.	Lbs.	Kg.					
In.	mm.	In.	mm.	In.	mm.	In.	mm.	In.	mm.	Lbs.	Kg.	Lbs.	Kg.				
2	65	7.00	178	5.63	143	16.31	414	8	203	6.00	152	.63	16	41	19	30	14
2½	80	7.50	191	5.88	149	17.19	437	8	203	7.00	178	.69	17	55	25	39	18
3	80	8.00	203	6.13	156	19.50	495	8	203	7.50	191	.75	19	67	30	47	21
4	100	9.00	229	6.50	165	24.00	610	10	254	9.00	229	.94	24	107	48	77	35
5	125	10.00	254	x	x	27.13	689	10	254	10.00	254	.94	24	145	66	x	x
6	150	10.50	267	x	x	31.06	789	12	305	11.00	279	1.00	25	178	81	x	x
8	200	11.50	292	x	x	40.19	1021	14	356	13.50	343	1.13	29	309	140	x	x
10	250	13.00	330	x	x	48.25	1226	16	406	16.00	406	1.19	30	481	218	x	x
12	300	14.00	356	x	x	56.88	1445	18	457	19.00	483	1.25	32	706	320	x	x

x Not available this size.

FREEZING WEATHER PRECAUTION: Subsequent to testing a piping system, valves should be left in an open position to allow complete drainage.

◆ For detailed Operating Pressure, refer to Pressure Temperature Chart on page 114.

VISIT WWW.NIBCO.COM FOR CURRENT CHEM-GUIDE AND GALVANIC POTENTIAL IN PIPING SYSTEMS INFORMATION.
Visit our website for the most current information.