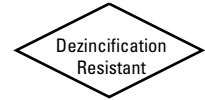


300 PSI WWP Bronze Ball Valves

Fire Protection Valve • Threaded or Grooved Body Style • Full Port Design 1" - 2" •
Standard Port Design 2½"

300 PSI/20.7 Bar Non-Shock Cold Water

CONFORMS TO MSS SP-110 •
FM APPROVED FOR INDOOR AND OUTDOOR SERVICE •
UL LISTED FOR INDOOR AND OUTDOOR SERVICE* •
CALIFORNIA STATE FIRE MARSHAL LISTING NO. 7770-1243:103



KT-505-W-8
Threaded



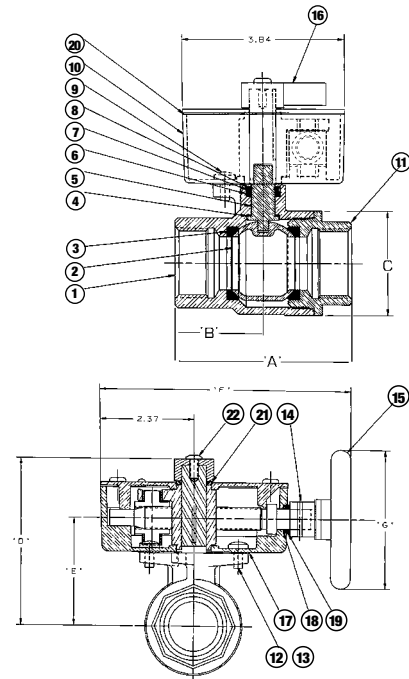
KG-505-W-8
Grooved (2" & 2½" only)

MATERIAL LIST

PART	SPECIFICATION
1. Body	Bronze ASTM B584 Alloy C84400
2. Ball	Chrome Plated Brass ASTM B124 Alloy C37700
3. Seat Ring	Carbon-filled PTFE
4. Thrust Washer	Reinforced PTFE
5. Stem	Bronze ASTM B371 Alloy C69430
6. Stem O-Ring	Nitrile
7. Retaining Washer	Brass
8. Retaining Ring	Steel
9. Ground Wire Screw	Steel
10. 505-8 Act Assy.	Brass
11. Body End	Bronze ASTM B584 Alloy C84400
12. Mounting Screw	Steel
13. Lock Washer	Steel
14. Handle Pin	Brass
15. Hand Wheel	Steel/plastisol coated (1¼" -2½") Brass Tee Handle (1")
16. Indicator Flag	Painted Steel
17. Body Gasket	Elastomer
18. Lead Screw O-Ring	Nitrile
19. Thrust Washer	Anti-friction Polymer
20. Cover Gasket	Buna-N
21. Flag Seal O-Ring	Nitrile
22. Tamper-Proof Screw	Stainless Steel
23. Pipe Plug (-4 units)	Stainless Steel (Not shown)

Refer to page 42 for details for TS-2M Switch Kit.

* Compliance with the applicable requirements of the Standard for Butterfly Valves for Fire Protection Service, UL 1091B.



KT-505-W

DIMENSIONS—WEIGHTS—QUANTITIES

Size	Dimensions										Cv†	Weight														
	A		B		C	D	E	F	G	In. mm.		Value	Threaded	Grooved	Box	Master										
In. mm.	In. mm.	In. mm.	In. mm.	In. mm.							In. mm.		In. mm.	In. mm.	In. mm.	In. mm.	Lbs.	Kg.	Lbs.	Kg.	Qty.	Ctn. Qty.				
1	25	3.33	85	—	—	1.66	42	—	—	2.11	54	3.81	97	2.31	59	6.14	156	1.75	44	57	6.1	2.77	—	—	1	10
1¼	32	4.18	106	—	—	2.09	53	—	—	2.46	62	4.21	107	2.72	69	6.33	161	3.50	89	103	7.1	3.23	—	—	1	8
1½	40	4.70	119	—	—	2.35	60	—	—	2.95	74	4.46	113	2.97	75	6.33	161	3.50	89	143	8.1	3.68	—	—	1	4
2	50	5.15	131	6.71	170	2.57	65	3.36	85	3.69	94	4.67	119	3.18	81	6.33	161	3.50	89	245	10.7	4.86	9.7	4.40	1	4
2½	65	5.65	144	7.28	185	2.92	74	3.64	93	3.75	95	4.67	119	3.18	81	6.33	161	3.50	89	183	13.0	5.91	12.6	5.73	1	4

† Note: Cv is defined as the flow in GPM that a valve will carry with a pressure drop of 1.0 psi when the media is water at 60° F.

DO NOT USE FOR NATURAL GAS

