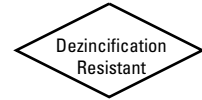


200 PSI WWP Bronze Check Valves

Fire Protection Valve • Horizontal Swing • Rubber Disc



200 PSI/13.8 Bar Non-Shock Cold Water

CONFORMS TO MSS SP-80



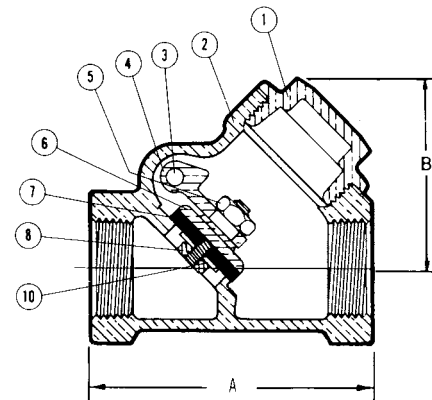
KT-403-W
Threaded

MATERIAL LIST

| PART | SPECIFICATION |
|-----------------------|---|
| 1. Bonnet | Bronze ASTM B62 or B584 Alloy C84400 |
| 2. Body | Bronze ASTM B62 or B584 Alloy C84400 |
| 3. Hinge Pin | Bronze ASTM B140 Alloy C31400 or B134 Alloy C23000 |
| 4. Disc Hanger | Bronze ASTM B62 |
| 5. Hanger Nut | Bronze ASTM B97 Alloy C65500 or Brass ASTM B16 |
| 6. Disc Holder | Bronze ASTM B62 |
| 7. Seat Disc | Nitrile (W) PTFE (Y)† |
| 8. Seat Disc Nut | Brass ASTM B16 or B97 Alloy C65500 |
| 9. Hinge Pin Plug | Bronze ASTM B140 Alloy C32000 (Not Shown) |
| *10. Seat Disc Washer | Stainless Steel |

* Sizes ¾", 1", 1¼" and 1½" only.

† 2½" and 3" size only.



KT-403-W
NPT x NPT

DIMENSIONS—WEIGHTS—QUANTITIES

| Size | Dimensions | | | | Weight | | Box Qty. | Master Ctn. Qty. |
|---------|------------|-----|------|-----|--------|------|----------|------------------|
| | A | | B | | Lbs. | Kg. | | |
| In. mm. | In. | mm. | In. | mm. | | | | |
| ½ 15 | 2.44 | 62 | 1.69 | 43 | .58 | .26 | 10 | 50 |
| ¾ 20 | 2.94 | 75 | 1.88 | 48 | .92 | .42 | 10 | 50 |
| 1 25 | 3.56 | 90 | 2.31 | 59 | 1.55 | .70 | 5 | 30 |
| 1¼ 32 | 4.19 | 106 | 2.69 | 68 | 2.32 | 1.05 | 5 | 20 |
| 1½ 40 | 4.50 | 114 | 2.94 | 75 | 3.00 | 1.36 | 2 | 10 |
| 2 50 | 5.25 | 133 | 3.81 | 97 | 4.87 | 2.21 | 2 | 10 |
| 2½ 65 | 8.00 | 203 | 5.06 | 129 | 11.48 | 5.22 | 1 | 5 |
| 3 80 | 9.25 | 235 | 6.25 | 159 | 17.53 | 7.97 | 1 | 4 |

Sizes 2½" and 3" supplied as T-433-Y with PTFE seat disc.

NIBCO check valves may be installed in both horizontal and vertical lines with upward flow or in any intermediate position.

WARNING - Valve must be installed downstream of receiver tank if used in line with reciprocating air compressor.