

Lead-Free* 250 PSI WWP Iron Body Check Valves

Fire Protection Valve • UL listed FM Approved
Double-Door • Wafer Style • Rubber Seat • Spring Actuated

CERTIFIED LEAD-FREE* BY WQA TO NSF/ANSI 372
UL/ULC LISTED • FM APPROVED*

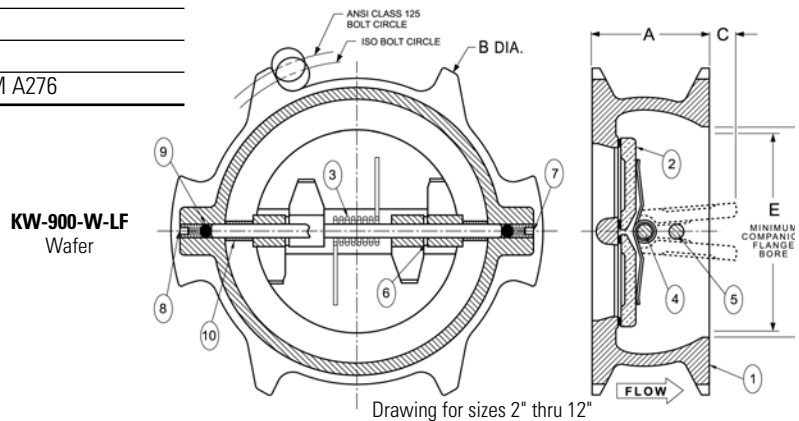


C USA
COMPONENT LEAD-FREE

MATERIAL LIST	
PART	SPECIFICATION
1. Body	Ductile Iron ASTM A536, Grade 65-45-12 - 2" thru 12" 14" thru 16" Cast Iron ASTM 126, Class B w/ Buna-N (Nitrile) resilient seat molded to body
2. Disc	Bronze ASTM B584 Alloy C87600 (2½" - 12") Aluminum Bronze ASTM B148, C95200 (14"-16")
3. Torsion Spring	Stainless Steel UNS 31600 ASTM A313
4. Hinge Pin	Stainless Steel UNS 31600 ASTM A276
5. Stop Pin	Stainless Steel UNS 31600 ASTM A276
6. Thrust Bearing	Stainless Steel UNS 31600 ASTM A240
7. Hinge Pin Retainer	Stainless Steel UNS 31600
8. Stop Pin Retainer	Stainless Steel UNS 31600
9. Stabilization Sphere	Buna-N
10. Spacer	Stainless Steel UNS S31600 ASTM A276



KW-900-W-LF
Wafer Style
2½" - 12"



DIMENSIONS—WEIGHTS—QUANTITIES

Size	Dimensions						C/V	Weight					
	A		B		C			D	E	Lbs.	Kg.		
In. mm.	In.	mm.	In.	mm.	In.	mm.	In.	mm.					
2½ 65	2.38	60	6.00	152	.125	3	3.50	89	1.313	33	108	4.3	1.95
3 80	2.63	67	5.63	143	.188	5	3.875	98	1.688	43	178	6.1	2.77
4 100	2.63	67	7.75	197	.625	16	4.75	121	3.063	78	440	8.8	3.99
5 125	3.25	83	7.56	192	.813	21	5.50	140	3.625	92	560	13.0	5.90
6 150	3.75	95	8.63	219	.813	21	6.25	159	4.250	108	840	18.0	8.16
8 200	5.00	127	12.25	311	1.000	25	8.00	203	5.500	140	1600	37.0	16.78
10 250	5.50	140	14.75	375	2.060	54	10.25	257	8.500	216	2700	65.0	29.48
12 300	7.13	181	17.38	441	1.938	49	12.00	305	9.250	235	4700	94.0	42.64
14 350	7.25	184	17.75	451	3.250	83	14.38	—	12.500	330	5200	200.0	90.75
16 400	7.50	191	20.25	514	4.500	114	16.38	—	15.000	381	7200	285.0	129.28

*Note: 14" and 16" sizes, 200 PSI WWP, FM approved only – P.O.A.

Features

- Spring loaded for fast closure, eliminating reverse flow slam and water hammer.
- Easily installed, with gasket, between standard class 125 flanges.
- Only one set of flange studs is needed.
- May be installed in both horizontal and vertical lines with upward flow.

NOTE:

Twin Disc Check Valves can be installed horizontally or in the vertical position with flow up.

CAUTION:

For horizontal flow applications, the valve must be installed with disc hinge pin in the vertical position to insure proper operation.

WARNING:

1. These are not to be used as steam valves
2. Valves are not to be used near a reciprocating air compressor
3. Install 5 pipe diameters minimum downstream from pump discharge or elbows to avoid flow turbulence. Flow straighteners may be required in extreme cases.

NOTE:

On pump discharge, the preferred check valves are in-line spring loaded.



KW-900-W-LF
Wafer Style
14" - 16"

