

200 PSI Butterfly Valves

Cast Iron Body • Extended Neck
Cartridge Seat Liner • Lug Style

Sizes 2" through 12"

Install between Std. ASME Class 125/150 Flanges†
Bi-directional dead end service rating without a downstream
flange required: 2"-6" 200 PSI, 8" 150 PSI, 10"-12" 100 PSI

DESIGNED TO MEET MSS SP-67 STANDARD

MATERIAL LIST

PART	SPECIFICATION
1. Body	Cast Iron, Epoxy coated ASTM A126 CL.B
2. Body Bushing	Bronze ASTM B584 Grade C83600
3. Liner	EPDM Rubber w/Phenolic Backing Buna-N Rubber Nitrile w/Phenolic Backing
4. Stem	Stainless Steel ASTM A582 Type 416
5. Disc	Alum. Brz. ASTM B148 Alloy C95400 Ductile Iron ASTM A536 Grade 65-45-12 (plated)
6. Taper Pin (2 pin 6" - 12")	Stainless Steel ASTM A582 Type 416
7. Name Plate	Aluminum
8. Shaft Bushing	Bronze ASTM B584 Grade C83600
9. Stem Seal	Buna-N Rubber Nitrile

DIMENSIONS — WEIGHTS

Size	A	Min.	B	C	G	H	I				
In. mm.	Dia.	Pipe I.D.	Dia.	D	Body	Seat	Dia.				
2	50	2.08	1.38	3.00	3.94	6.34	1.26	10.75	1.655	1.81	0.496
2½	65	2.54	1.95	3.50	4.72	6.89	1.26	11.65	1.759	1.93	0.496
3	80	3.10	2.66	4.09	5.00	7.13	1.26	12.12	1.780	1.93	0.496
4	100	4.10	3.67	5.32	6.14	7.87	1.26	13.62	2.050	2.18	0.621
5	125	4.85	4.48	6.26	7.48	8.39	1.26	14.65	2.140	2.31	0.745
6	150	6.12	5.84	7.42	8.35	8.90	1.26	15.62	2.195	2.33	0.745
8	200	7.97	7.85	9.38	10.55	10.24	1.77	18.88	2.385	2.52	0.870
10	250	9.86	9.76	11.51	12.79	11.50	1.77	21.26	2.584	2.83	1.120
12	300	11.87	11.72	13.55	15.87	13.27	1.77	24.57	3.029	3.19	1.244

Size	J	K	L	M	R	P	Q	T	Lug Weight		
In. mm.	Dia.	B.C. Dia.	Dia.	Dia.	Dia.		Dia.	Flats	Lbs.	Kg.	
2	50	3.00	1.97	0.28	0.75	4.75	4	¾-11UNC	.350	8.6	3.9
2½	65	3.03	1.97	0.28	0.75	5.50	4	¾-11UNC	.350	10.8	4.9
3	80	3.03	1.97	0.28	0.75	6.00	4	¾-11UNC	.350	11.4	5.2
4	100	3.62	2.76	0.39	0.75	7.50	8	¾-11UNC	.437	18.9	8.6
5	125	3.62	2.76	0.39	0.88	8.50	8	¾-10UNC	.500	22.8	10.4
6	150	3.62	2.76	0.39	0.88	9.50	8	¾-10UNC	.500	27.1	12.3
8	200	4.50	4.02	0.47	0.88	11.75	8	¾-10UNC	.625	41.2	18.7
10	250	4.50	4.02	0.47	1.00	14.25	12	¾-9UNC	.812	56.3	25.9
12	300	5.50	4.02	0.47	1.00	17.00	12	¾-9UNC	.875	90.3	41.0

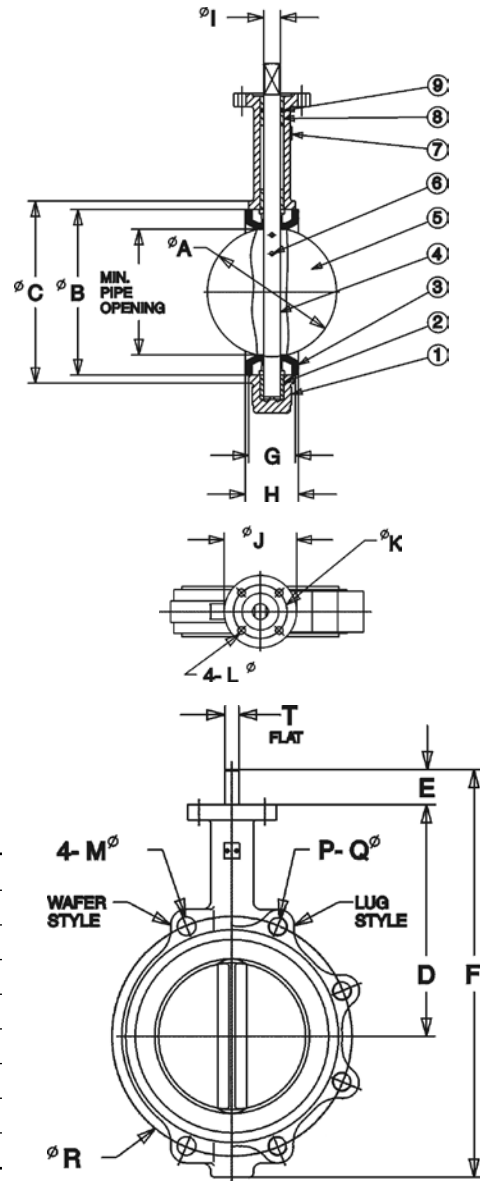
†NOTE: LUG STYLE VALVES - Extra care should be used when installing with raised face flanges.
Over-tightening can result in broken lugs.

N200235
Lug Style
EPDM Liner
Aluminum Bronze Disc

N200236
Lug Style
EPDM Liner
Ductile Iron Disc

N200245
Lug Style
Buna Liner
Aluminum Bronze Disc

N200246
Lug Style
Buna Liner
Ductile Iron Disc



NOT RECOMMENDED
FOR STEAM SERVICE