

250 PSI CWP Iron Body Gate Valves

Bolted Bonnet • Non-Rising Stem • Resilient Wedge • IPS PVC Push-on



250 PSI/17.2 Bar Non-Shock Cold Working Pressure

CERTIFIED LEAD-FREE* BY IAPMO R&T TO NSF/ANSI 372



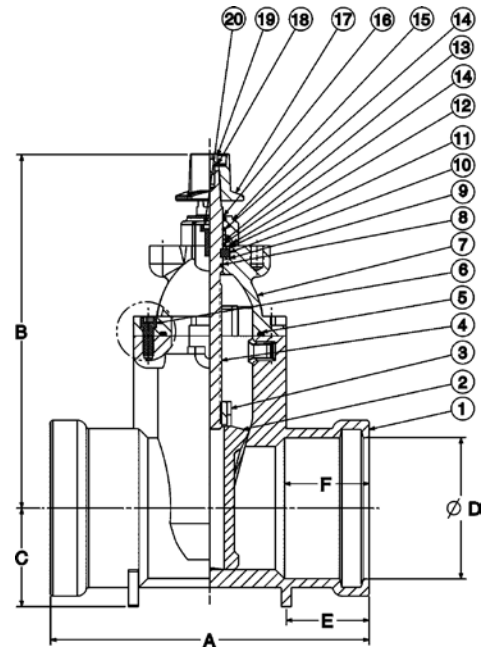
P-619-RW
IPS Push-On

MATERIAL LIST

PART	SPECIFICATION
1. Valve Body	Cast Iron ASTM A 126-B
2. Resilient Wedge	Ductile Iron ASTM A 536/EPDM ASTM D 2000
3. Wedge Nut	Bronze ASTM B 584 UNS C83600
	4" - 12" ASTM B584 UNS C92200 2" - 3"
4. Stem	Stainless Steel ASTM A 276 UNS S41000
5. Bonnet Gasket	EPDM ASTM D 2000
6. Bonnet Screw	18-8 Stainless Steel ASTM A193
7. Bonnet	Cast Iron ASTM A 126-B
8. Stem Primary O-Ring	EPDM ASTM D 2000
9. Stem Thrust Washer (lower)	Nylon 1010
10. Stem Collar	Brass ASTM B 16 UNS C36000
11. Stem Thrust Washer (upper)	Stainless Steel ASTM A 276 UNS S41000
12. Gland Seal O-Ring	EPDM ASTM D 2000
13. Stem Seal Bushing	Nylon 1010
14. Stem Secondary O-Ring (2)	EPDM ASTM D 2000
15. Gland Flange	Ductile Iron ASTM A 536
16. Stem Ring Wiper	EPDM ASTM D 2000
17. Square Operating Nut	Cast Iron ASTM A 126-B
17A. Handwheel (Optional)	Ductile Iron ASTM A 536
18. Operating Nut Washer	Carbon Steel Zinc Plated
19. Operating Nut Screw	Alloy Steel ASTM A 574M Zinc Plated
20. Gland Flange Screw	Alloy Steel ASTM A 574M Zinc Plated

Coating — Electrostatically applied fusion-bonded epoxy 10-14 mil. inside and outside.
Meets or exceeds AWWA C550. Coating is NSF-61 and FDA certified.

Maximum operating temperature 160°F/71°C.



P-619-RW
IPS Push-On

DIMENSIONS—WEIGHTS—QUANTITIES

Size	Dimensions												Handwheel (Opt.) Turns to Open	Weight				
	A		B		C		D		E		F			Lbs.	Kg.			
In.	mm.	In.	mm.	In.	mm.	In.	mm.	In.	mm.	In.	mm.	In.	mm.					
2	50	11.4	289	10.2	259	2.4	60	2.48	63	2.3	58	2.7	69	7.9	200	6.5	24	11
2½	65	11.4	289	11.3	288	2.6	67	2.99	76	2.3	58	2.7	69	7.9	200	8.8	32	15
3	80	11.3	287	12.7	322	3.1	80	3.62	92	2.2	56	3.0	75	10.2	250	10.6	40	18
4	100	11.7	298	13.4	341	3.5	90	4.65	118	2.5	63	3.5	89	10.2	260	12.8	56	25
6	150	15.3	388	17.0	431	4.7	120	6.77	172	4.0	101	4.1	103	14.8	375	15.6	106	48
8	200	16.5	418	20.4	518	5.9	150	8.74	222	3.0	77	4.5	115	14.8	375	17.3	172	78
10	250	21.2	539	23.8	604	7.1	180	10.94	278	3.7	93	5.2	132	15.7	400	21.3	307	140
12	300	26.5	672	27.0	685	8.1	206	12.89	327.5	4.1	103	5.5	139	19.7	500	25.3	447	203

*Lead Free refers to the wetted surface of pipe, fittings and fixtures in potable water systems that have a weighted average lead content ≤ 0.25% per the Safe Drinking Water Act (Sec. 1417) amended 1-4-2011 and other equivalent state regulations.

FREEZING WEATHER PRECAUTION: Subsequent to testing a piping system, valves should be left in an open position to allow complete drainage.