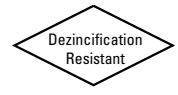


NIBCO® Press System® Lead-Free* Bronze Gate Valves

Silicon Performance Bronze® alloy • screw-in bonnet • non-rising stem • conforms to MSS SP-139 • solid wedge • press ends leak detection • NSF/ANSI-61-8 commercial hot 180°F and NSF/ANSI-372

Size range: 1/2" - 3"
Pressure rating: 250† PSI non-shock cold working pressure
Maximum pressure / temperature: 180 PSI at 200° F

Lead-free* markings:
 Double oval in body casting, white handle and blue hang tag

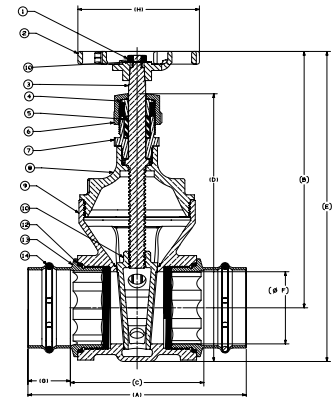


NSF/ANSI 61
NSF/ANSI 372



MATERIAL LIST

PART	SPECIFICATION
1. Handwheel Nut	300 Series Stainless Steel
2. Handwheel	Malleable Iron ASTM A47, 35018
3. Stem	Silicon Bronze ASTM B371 Alloy C69430
4. Packing Gland	ASTM B16 C36000
5. Stem Packing	Aramid Fibers with Graphite
6. Packing Nut	ASTM B16 C36000
7. Stuffing Box	Silicon Bronze ASTM B584 Alloy C87850
8. Bonnet	Silicon Bronze ASTM B584 Alloy C87850
9. Body	Silicon Bronze ASTM B584 Alloy C87850
10. Wedge	Silicon Bronze ASTM B584 Alloy C87850
11. Identification Plate	Aluminum
12. Boss seal o-ring (2)	EPDM
13. Press End Adapter (2)	Wrot Copper ASTM B75 Alloy C12200
14. Leak Detect O-Ring (2)	EPDM



PC-113-LF
Press x Press
Female End

DIMENSIONS—WEIGHTS—QUANTITIES

SIZE	A		B		C		D		E		F		G		H		Weight		Master	
In. mm.	In.	mm.	In.	mm.	In.	mm.	In.	mm.	In.	mm.	In.	mm.	In.	mm.	In.	mm.	Lbs.	Kg.	Ctn Qty.	
1/2 [†]	15	3.68	93.47	3.66	93	2.28	57.9	3.34	84.84	4.24	107.7	0.5	13	0.7	17.78	2.44	62	0.91	0.41	30
3/4	20	4.24	107.7	3.94	100	2.36	59.9	3.85	97.8	4.64	118	0.75	19	0.96	24	2.44	62	1.28	0.58	25
1	25	4.62	117.3	4.62	117.3	2.85	72.4	4.69	119	5.52	140	1.00	25	0.88	22.35	3.19	81	2.09	0.95	20
1-1/4	32	5.1	129.5	5.19	132	3.08	78.2	5.26	133.6	6.25	159	1.25	32	1.01	25.65	3.19	81	3.03	1.37	10
1-1/2	40	6.18	157	6.3	160	3.41	86.6	6.07	154.2	7.5	191	1.50	38	1.38	35	4.42	112.3	4.18	1.9	10
2	50	6.44	163.6	7.09	180	3.42	86.9	7.33	186.2	8.59	218	2.00	51	1.51	38.3	4.42	112.3	6.1	2.77	4
2-1/2	65	7.56	192	8.88	226	4.62	117.3	9.28	235.7	10.69	272	2.50	64	1.47	37.3	4.42	112.3	11.2	5.08	4
3	80	8.49	215.6	10.24	260	5.17	131.3	10.71	272	12.5	318	3.00	76	1.66	42.2	5.28	134.1	17.37	7.89	4

†200 PSI for 2 1/2" and 3"

‡No packing gland, packing only in this size.

*Weighted average lead content ≤ 0.25%

Visit our website for the most current information.