

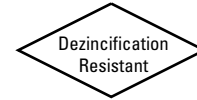
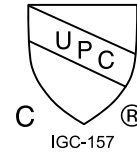
NIBCO® Press System® Lead-Free* Bronze Ball Valves

Silicon Performance Bronze™ Alloy • Two-Piece Body • Full Port • Stainless Trim • Blowout-Proof Stem •
Copper Ends x 3/4" Hose Connection w/Cap and Chain • MSS SP-145 •
NSF/ANSI-61-9 and NSF/ANSI-372

Size Range: 1/2" & 3/4"

Pressure Rating: 250 PSI Non-Shock Cold Working Pressure

Lead-Free* markings:
Double oval in body casting, white handle and blue hang tag



MATERIAL LIST

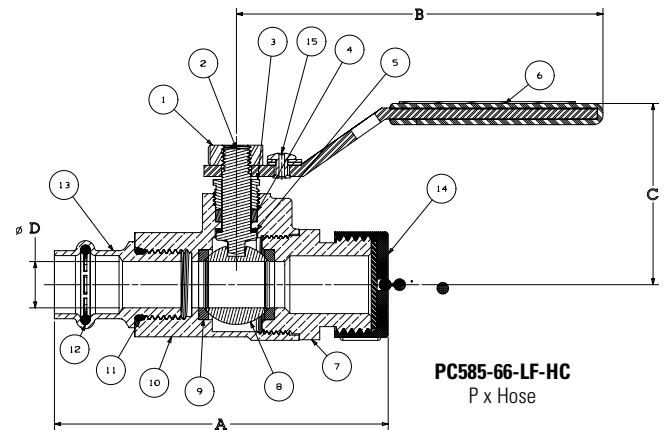
PART	SPECIFICATION
1. Handle Nut	Zinc Plated Steel
2. Stem	Stainless Steel ASTM A276 Type 316
3. Pack Gland	Brass ASTM B16 Alloy C36000
4. Packing	PTFE
5. Thrust Washer	Reinforced PTFE
6. Handle Assembly	Zinc Plated Steel with Plastisol Coating
7. Hose Body End	Silicon Bronze ASTM B371 Alloy C69300
8. Ball (vented)	Stainless Steel ASTM A276 Type 316
9. Seat Ring (2)	Reinforced PTFE
10. Body	Silicon Bronze ASTM B584 Alloy C87600
11. Boss seal o-ring	EPDM
12. O-Ring	EPDM
13. Press End Adapter	Wrot Copper ASTM B75 Alloy C12200
14. Cap ¹	Die Cast Brass, EPDM Gasket
15. Pop Rivet	Stainless Steel

¹ Cap is for hose end thread protection only. Not to be used for pressure containing purposes.

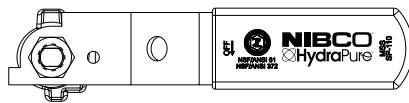


PC585-66-LF-HC

Press Female x Hose End



PC585-66-LF-HC
P x Hose



Handle Markings

DIMENSIONS—WEIGHTS—QUANTITIES

SIZE	A		B		C		D		E		F		G		Weight		
In. mm.	In.	mm.	In.	mm.	In.	mm.	In.	mm.	In.	mm.	In.	mm.	In.	mm.	Lbs.	Kg.	
1/2	15	3.61	92	3.76	96	1.96	50	0.50	13	5.93	151	1.31	33	0.70	18	0.92	0.42
3/4	20	4.32	110	4.76	121	2.28	58	0.75	19	7.28	185	1.62	41	0.96	24	1.70	0.77

Handle Options:

- Stainless Steel Lever
- NIB-Seal®
- Locking lever
- Stainless Steel Locking Lever
- Memory stop
- Extended lever w/ memory stop
- Round
- Wing
- Horizontal and vertical chain

*Weighted average lead content ≤ 0.25%