

NIBCO® Press System® Lead-Free* Bronze Ball Valves

Silicon Performance Bronze™ Two-Piece Body • Copper Ends •
Full Port • Blowout-Proof Stem • MSS SP-145 • IAPMO IGC-157 •
NSF/ANSI-61-8 Commercial Hot 180°F (includes Annex F and G) and NSF/ANSI-372

Size Range: 1/2" - 2"

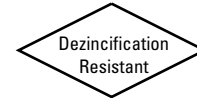
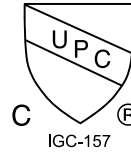
Pressure Rating: 250 PSI Non-Shock Cold Working Pressure

Body Design Pressure: 600 PSI CWP

Maximum Pressure / Temperature: 225 PSI at 250° F

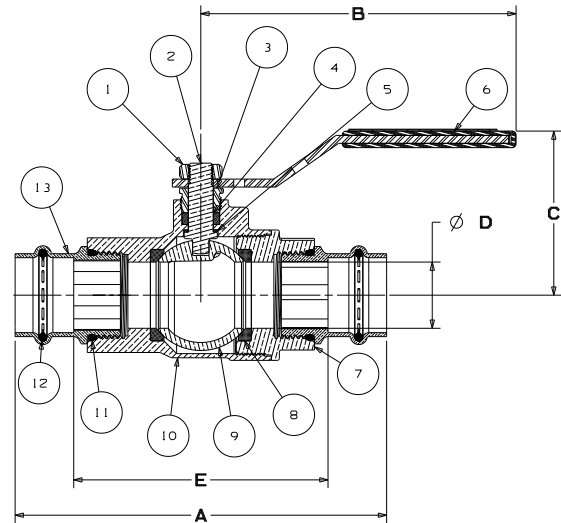
Lead-Free* markings:

Double oval in body casting, white handle and blue hang tag



PC585-80-LF

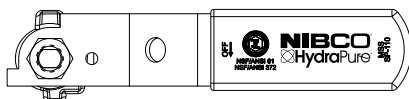
Press x Press
Female End



PC585-80-LF
P x P

MATERIAL LIST

PART	SPECIFICATION
1. Handle Nut	Plated Steel
2. Stem	Silicon Bronze ASTM B371 Alloy C69300
3. Pack Gland	Brass ASTM B16 Alloy C36000
4. Packing, Stem	PTFE
5. Thrust Washer	Reinforced PTFE
6. Handle Assembly	Plated Steel with Plastisol Coating
7. Body End	Silicon Bronze ASTM B584 Alloy C87600
8. Seat Ring (2)	Reinforced PTFE
9. Ball	Silicon Bronze ASTM B283 Alloy C69300
10. Body	Silicon Bronze ASTM B584 Alloy C87600
11. Boss seal o-ring (2)	EPDM
12. O-Ring (2)	EPDM
13. Press End Adapter (2)	Wrot Copper ASTM B75 Alloy C12200



Handle Markings

DIMENSIONS—WEIGHTS

SIZE	Dimensions										Weight	
	A		B		C		D		E		Lbs.	Kg.
In. mm.	In. mm.	In. mm.	In. mm.	In. mm.	In. mm.	In. mm.	In. mm.	In. mm.	In. mm.	In. mm.		
1/2	15 3.93	100 3.96	101 101	1.96 50	0.50 13	2.53 64	0.80 20.32	0.36 9.14				
3/4	20 5.00	127 4.76	121 121	2.28 58	0.75 19	3.23 82	1.56 39.63	0.71 18.03				
1	25 5.61	142 4.76	121 121	2.48 63	1.00 25	3.84 98	2.13 54.13	1.00 25.40				
1 1/4	32 6.23	158 6.76	172 172	3.10 79	1.25 32	4.21 107	3.73 94.76	1.69 42.91				
1 1/2	40 7.56	192 6.76	172 172	3.32 84	1.50 38	4.79 122	5.53 140.41	2.51 63.76				
2	50 8.40	213 6.76	172 172	3.56 90	2.00 51	5.36 136	7.95 201.46	3.61 91.76				

- Handle Options:**
- Stainless Steel Lever
 - NIB-Seal®
 - Locking lever
 - Stainless Steel Locking Lever
 - Memory stop
 - Extended lever w/ memory stop
 - Round
 - Wing
 - Horizontal and vertical chain

*Weighted average lead content ≤ 0.25%