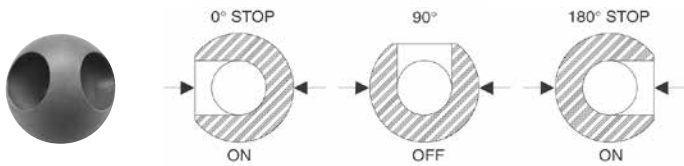
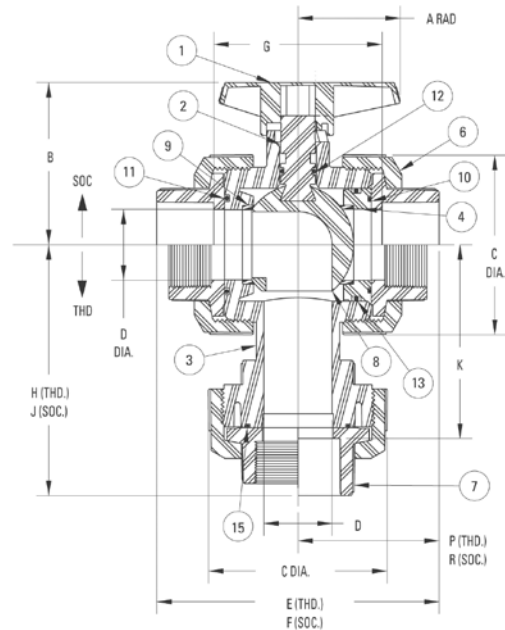


PVC and CPVC 3-Way, 3-Position (Multiport) True Union Ball Valve, Model A



Features

- Rated at 150 psi with non-shock water service at 73°F
- For applications where flow direction and on-off control are needed
- Flow may be directed from the branch center-inlet to one side run-outlet (at the 0° stop position), then to shut-off (at the 90° position), and then to the opposite side run-outlet (at the 180° stop position).
- Flow may be directed from either of the side run-inlet ports to the branch center-outlet port, with shut-off at the mid position (when handle is perpendicular to the body). Cross-contamination of the two inlet streams is prevented at all intermediate positions between the 180° stops.
- **ADJ** externally molded onto the body to indicate the seat carrier end of the valve. Adjustment of this union nut can compensate for wear of PTFE seats, with no production loss to remove valve for internal adjustment.
- Valves are manufactured and assembled without exposure to silicone compounds. Silicone-free lubricant is used to assemble all ball valves.
- Full port design produces minimum flow restriction with the lowest possible pressure drop for 90° porting.



Construction Materials

Components ¹	PVC	CPVC
1. Handle		
2. Stem	PVC	CPVC
3. Body	PVC	CPVC
4. Seat-Carrier	PVC	CPVC
6. Union Nut	PVC	CPVC
7. End Connector	PVC	CPVC
8. Ball	PVC	CPVC
9. Seat ² ; (2 ea.)	PTFE	
10. O-Ring ³ – Seat-Carrier; End Seal		
11. O-Ring ³ – Body; End Seal		
12. O-Ring ³ – Stem; OD Seal	FKM or EPDM	
13. O-Ring ³ – Seat-Carrier; OD Seal		
14. O-Ring ³ – Branch Union; End Seal	FKM or EPDM	

- 1 All components except valve bodies are available as replacement parts.
 2 Each replacement PTFE seat kit contains two seats.
 3 Each replacement O-ring kit contains all the O-rings required to refurbish a particular size True Union Ball or Check Valve (regardless of model or style), or a minimum of two pipe unions.

Chemtrol Figure Numbers

Valve Style	Elastomeric Trim	PVC Soc.	Thd.	CPVC Soc.	Thd.
1/2" – 2" Multiport (3-Way/3-Position)	FKM	S45M3-V	T45M3-V	S51M3-V	T51M3-V
	EPDM	S45M3-E	T45M3-E	S51M3-E	T51M3-E

Dimensions–Weights–Flow Coefficients

Valve Size	Soc. & Thd Figures				Socket Figures				Threaded Figures				Fluid Flow Coefficient C _v ³		
	A ¹	B	C	D	F	G	J	K	R	Approx. ² Wt. Lbs.	E	H		P	Approx. ² Wt. Lbs.
1/2	2.07	1.94	2.00	0.50	4.19	2.41	3.56	2.69	2.13	0.64	4.00	3.50	2.06	0.60	8
3/4	2.74	2.50	2.44	0.75	5.00	2.97	4.19	3.19	2.50	1.15	4.63	4.00	2.31	1.05	19
1	2.74	2.69	2.86	1.00	5.50	3.22	4.63	3.50	2.75	1.59	5.18	4.44	2.63	1.50	36
1 1/4	2.62	3.74	4.08	1.25	6.47	3.94	5.88	4.63	3.25	3.43	6.10	5.63	3.06	3.24	55
1 1/2	2.62	3.74	4.08	1.25	6.76	3.98	6.00	4.63	3.38	3.62	6.15	5.63	3.06	3.37	55
2	3.12	4.25	5.25	2.00	8.01	4.98	7.08	5.63	3.96	7.02	7.35	6.81	3.62	6.25	149

- 1 Handle is not symmetrical about stem centerline. Dimension shown represents the longest operational radius.
 2 Weights shown for socket figures are CPVC models. Weights for threaded figures are PVC models.

3 C_v values were computed using equivalent cylinder length for 90° turn with full bore.

* 1 1/2" valve has conventional port on center outlet.