

PVC and CPVC Tru-Bloc® True Union Ball Valve, Model C

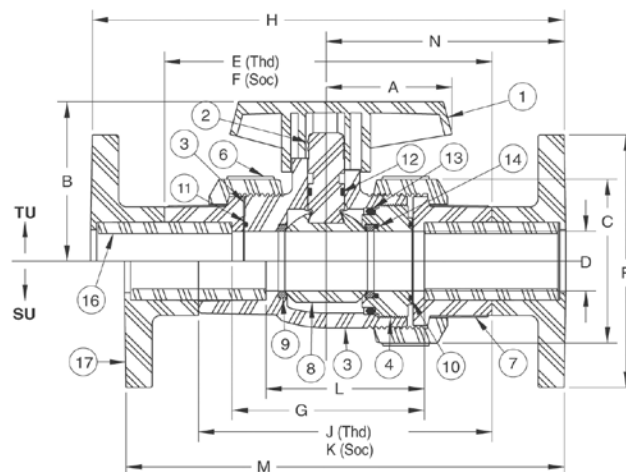
Construction Materials

Components ¹	PVC	CPVC
1. Handle	Orange PVC	
2. Stem	PVC	CPVC
3. Body	PVC	CPVC
4. Seat-Carrier	PVC	CPVC
6. Union Nut	PVC	CPVC
7. End Connector	PVC	CPVC
8. Ball	PVC	CPVC
9. Seat ² ; (2 ea.)	PTFE	
10. O-Ring ³ – Seat-Carrier; End Seal	FKM or EPDM	
11. O-Ring ³ – Body; End Seal		
12. O-Ring ³ – Stem; OD Seal		
13. O-Ring ³ – Seat-Carrier; OD Seal		
14. O-Ring ³ – Seat-Carrier; Seat Energizer		
15. Plain-End Nipple; 2 ea. Spg x Spg	PVC	CPVC
16. Flange – 2 ea. Socket-End	PVC	CPVC
17. Stem; Friction Washer (4" & 6" Only)	PTFE	
18. Handle Bolt (4" & 6" Only)	PVC	

- 1 All components **except valve bodies** are available as replacement parts.
 2 Each replacement **PTFE seat kit** contains two seats.
 3 Each replacement O-ring kit contains all the O-rings required to refurbish a particular size True Union Ball or Check Valve (regardless of model or style), or a minimum of two pipe unions.

Features

- Rated at 150 psi with non-shock water service at 73°F.
- Designed with an energizer O-ring beneath the PTFE seat, Model D and C valves automatically adjust for seat wear.
- Full-port design produces minimum flow restriction with the lowest possible pressure-drop. 6" ball valve is reduced port.
- Valves are manufactured and assembled without exposure to silicone compounds. Silicone-free lubricant is used to assemble all ball valves.



Chemtrol Figure Number

Valve Style	Elasto-meric Trim	PVC			CPVC		
		Soc.	Thd.*	Flgd.	Soc.	Thd.*	Flgd.
TU/TB	FKM	S45TB-V	T45TB-V	F45TB-V	S51TB-V	T51TB-V	F51TB-V
	EPDM	S45TB-E	T45TB-E	F45TB-E	S51TB-E	T51TB-E	F51TB-E

* Thread end connections are not available for 6" valves.

Dimensions—Weights—Flow Coefficients

Valve Size	TU Figures Profile						TU Figures End-to-End (3" thru 6")					Fluid Flow Coefficient C_v^3 TU
	A ¹	B	C	D	N	P	E Thd.	F Soc.	G Soc.	H Flgd.	Approx. ² Wt. Lbs.	
3	4.00	5.59	7.18	3.00	7.42	7.50	10.39	10.39	6.58	14.63	11.25	1348
4	8.00	6.05	8.78	4.00	8.52	9.00	12.22	12.22	7.66	17.63	17.68	2602
6 ⁴	8.00	6.05	8.78	4.00	11.90	11.05	NA	30.22	24.16	24.08	29.25	2602

- 1 Handle is not symmetrical about center line. Dimensions shown represent the longest operational radius. The handle position is correctly shown for the 3" True Union valve style, but the position must be rotated 180° from that shown for the 4" - 6" True Unions.
 2 Weight includes socket end connections only for 3" - 6" sizes. The material represented is PVC in all cases.
 3 C_v values computed for basic valve laying lengths (G).
 4 The 6" ball valve is a Venturi design derived from the 4" valve: a 4" end connector and a 6" coupling are connected by a 6" x 4" Venturied reducer, with a union nut captured within the assembly. Threaded end connection not available.