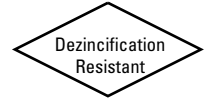


# Class 125 Bronze Gate Valves

Screw-in Bonnet • Non-Rising Stem • Solid Wedge



**125 PSI/8.6 Bar Saturated Steam to 353° F/178° C**  
**200 PSI/13.8 Bar Non-Shock Cold Working Pressure**

CONFORMS TO MSS SP-80

## MATERIAL LIST

PART	SPECIFICATION
1. Handwheel Nut	300 Series Stainless Steel
2. Identification Plate	Aluminum
3. Handwheel	Malleable Iron ASTM A 47
4. Stem	Silicon Bronze ASTM B 371 Alloy C69400/C69430
5. Packing Nut	Sintered Bronze ASTM B 438 70 Grade I Type II or Brass ASTM B16
6. Packing Gland	Sintered Bronze ASTM B 438 70 Grade I Type II or Brass ASTM B16
7. Packing	Aramid Fibers with Graphite
8. Stuffing Box	Bronze ASTM B 62
9. Bonnet	Bronze ASTM B 62
10. Body	Bronze ASTM B 62
11. Wedge	Bronze ASTM B 62
*12. Hose Cap	Bronze ASTM B 62
13. Hose Cap Gasket	Rubber
14. Safety Chain	Brass

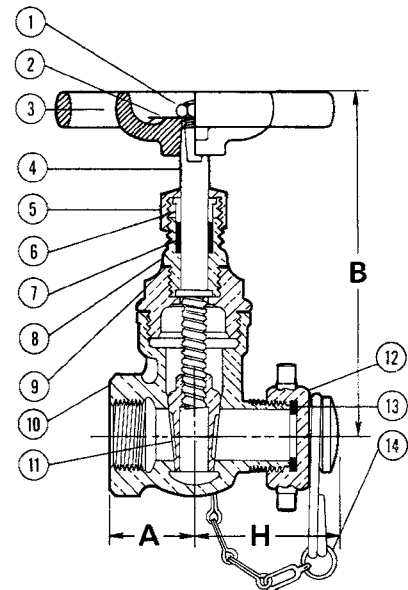
**NOTE: Valve available less cap and chain – consult factory.**

\* ½ – 1 is 11½ threads per inch

1¼–1½ is 9 threads per inch



**T-113-HC**  
Threaded x Hose Thread



**T-113-HC**  
NPT x ANFH

## DIMENSIONS—WEIGHTS—QUANTITIES

Size		Dimensions				H		Weight		Master
In.	mm.	In.	mm.	In.	mm.	In.	mm.	Lbs.	Kg.	Ctn. Qty.
½ x ¾H	15 x 20H†	1.13	29	4.44	113	2.06	52	1.52	0.69	30
¾ x ¾H	20 x 20H†	1.25	32	5.06	129	2.13	54	1.84	0.84	20
1 x 1H	25 x 25H*	1.44	37	5.88	149	2.38	60	2.93	1.33	20
1¼ x 1¼H	32 x 32H‡	1.56	40	6.63	168	2.75	70	4.27	1.94	10
1½ x 1½H	40 x 40H‡	1.69	43	7.09	180	2.94	75	5.75	2.61	10

† Garden Hose Thread

\* Special Pitch Hose Thread

‡ American National Fire Hose Thread

**FREEZING WEATHER PRECAUTION:** Subsequent to testing a piping system, valves should be left in an open position to allow complete drainage.

◆ For detailed Operating Pressure, refer to Pressure Temperature Chart on page 114.

Visit our website for the most current information.