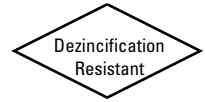


Class 300 Bronze Angle Valves

Union Bonnet • Replaceable Seat and Full-Plug Disc



300 PSI/20.7 Bar Saturated Steam to 421° F/216° C
600 PSI/41.4 Bar Non-Shock Cold Working Pressure

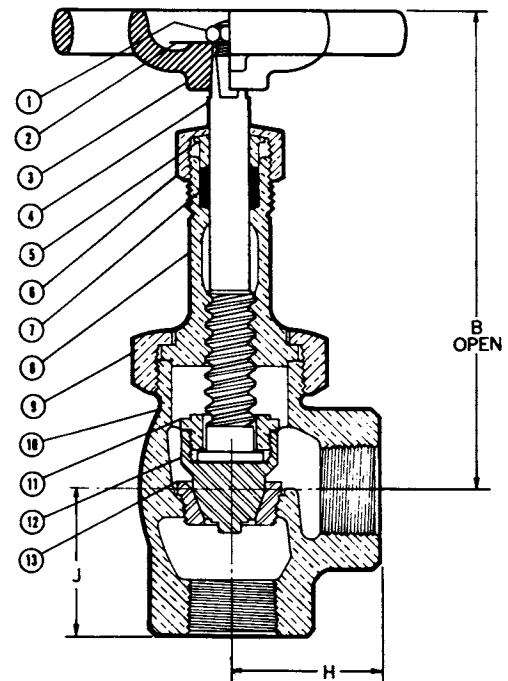
CONFORMS TO MSS SP-80

MATERIAL LIST

PART	SPECIFICATION
1. Handwheel Nut	300 Series Stainless Steel
2. Identification Plate	Aluminum
3. Handwheel	Malleable Iron ASTM A 47
4. Stem	Silicon Bronze ASTM B 371 Alloy C69400/C69430
5. Packing Gland	Bronze ASTM B 62 or ASTM B584 Alloy C84400 or Brass ASTM B16
6. Packing Nut	Bronze ASTM B 62 or ASTM B584 Alloy C84400 or Brass ASTM B16
7. Packing	Aramid Fibers with Graphite
8. Bonnet	Bronze ASTM B 61
9. Union Nut	Bronze ASTM B 61
10. Body	Bronze ASTM B 61
11. Disc Holder Nut	Bronze ASTM B 61
12. Plug Disc	S42000 Stainless Steel ASTM A 276 Hardened
13. Seat Ring	S42000 Stainless Steel ASTM A276 Hardened



T-376-AP
Threaded



T-376-AP
NPT x NPT

DIMENSIONS—WEIGHTS—QUANTITIES

Size	Dimensions				Weight		Master Ctn. Qty.	
	B		H & J		Lbs.	Kg.		
In.	mm.	In.	mm.	In.	mm.			
† ¼	8	4.38	111	1.31	33	1.38	0.63	50
† ⅜	10	4.38	111	1.31	33	1.22	0.55	50
½	15	4.88	124	1.38	35	1.81	0.82	25
¾	20	5.75	146	1.69	43	2.78	1.26	20
1	25	7.00	178	2.00	51	4.62	2.10	10
1¼	32	7.63	194	2.31	59	6.84	3.10	10
1½	40	7.69	195	2.50	64	8.61	3.90	6
2	50	9.25	235	3.00	76	13.09	5.94	4

† No packing gland, packing only in these sizes.

FREEZING WEATHER PRECAUTION: Subsequent to testing a piping system, valves should be left in an open position to allow complete drainage.

◆ For detailed Operating Pressure, refer to Pressure Temperature Chart on page 114.

Visit our website for the most current information.