

# 250 PSI CWP Bronze Angle Valves

Screw-in Bonnet • Integral Seat • Renewable Disc



250 PSI/17.2 Bar Non-Shock Cold Working Pressure

CONFORMS TO MSS SP-80

## MATERIAL LIST

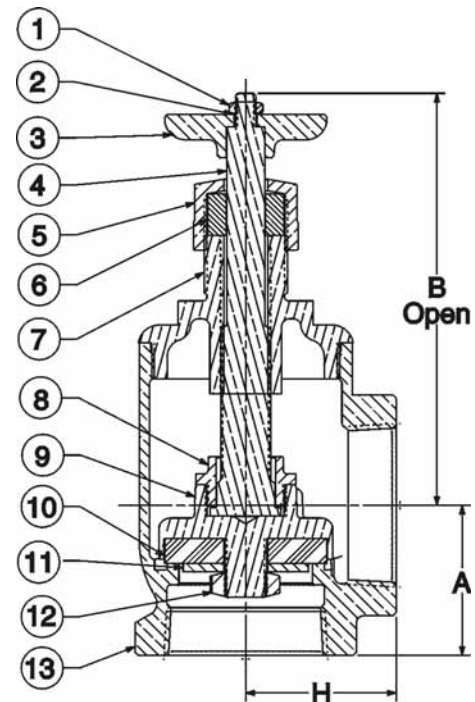
PART	SPECIFICATION
1. Handwheel Nut	Stainless Steel
2. Identification Plate	Aluminum
3. Handwheel	Bronze Cross ASTM B 62 Alloy C83600
4. Stem	Silicon Bronze ASTM B 371 Alloy C69430
5. Packing Nut	Brass ASTM B 16 Alloy C36000
6. Packing	Aramid Fibers with Graphite
7. Bonnet	Bronze ASTM B 62 Alloy C83600
8. Disc Holder Nut	Bronze ASTM B 62 Alloy C83600
9. Disc Holder	Bronze ASTM B 62 Alloy C83600
10. Seat Disc	Nitrile Rubber (W)
11. Seat Disc Washer	Stainless Steel
12. Seat Disc Nut	Silicon Bronze ASTM B 96 Alloy C65100
13. Body	Bronze ASTM B 584 Alloy C83600



**T-381-WK**  
Threaded

## DIMENSIONS—WEIGHTS—QUANTITIES

Size	Dimensions						Weight	Box Qty.	Master Ctn. Qty.
	A		B		H				
In. mm.	In.	mm.	In.	mm.	In.	mm.	Lbs.	Kg.	
2 50	2.25	57	7.14	181	2.25	57	6.72	3.05	1 6



**T-381-WK**  
NPT x NPT