

# Carbon Steel Ball Valves

One-Piece Bar Stock Body • Blowout-Proof Stem •  
CS Trim • Vented Ball

**2000 PSI/138 Bar Non-Shock Cold Working Pressure (1/2"-1")**  
**1500 PSI/103 Bar Non-Shock Cold Working Pressure (1 1/4"-2")** ◆

CONFORMS TO MSS SP-110

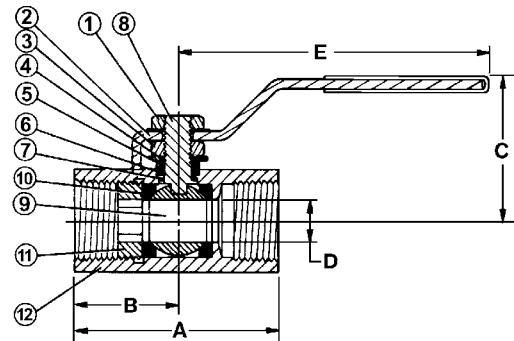
## MATERIAL LIST

PART	SPECIFICATION
1. Handle Nut	Carbon Steel ASTM A 283 Zinc Plated
2. Handle	Carbon Steel ASTM A 283 Zinc Plated
3. Packing Nut	Carbon Steel ASTM A 283 Zinc Plated
4. Belleville Washer (2)	Carbon Steel Black Oxide ASTM A 686
5. Pack Gland	Stainless Steel ASTM A 240 Type 304
6. Stem Packing	Reinforced PTFE
7. Thrust Washer	Reinforced PTFE
8. Stem	Carbon Steel ASTM A 108 Type 1045
9. Ball (Vented) Chrome Plated	Carbon Steel ASTM 108 Type 1015/1045
10. Seat Ring (2)	Reinforced PTFE
11. Body Insert	Carbon Steel ASTM A 108 Type 1018 Phosphate Coated
12. Body	Carbon Steel ASTM A 108 Type 1018 Phosphate Coated

**NOTE:** Valves are not available static grounded.



**T-570-CS-R-25**  
Threaded



**T-570-CS-R-25**  
NPT x NPT

## DIMENSIONS—WEIGHTS—QUANTITIES

Size	Dimensions										T-570-CS-R-25			Master Ctn. Qty.
	A	B	C	D	E	Lbs.	Kg.							
In. mm.	In. mm.	In. mm.	In. mm.	In. mm.	In. mm.	In. mm.								
1/2 15	2.19 56	1.10 28	1.63 41	.35 9	4.17 102	.55 25	.25 80							
3/4 20	2.63 67	1.32 34	1.75 44	.47 12	4.17 102	.77 35	.80 80							
1 25	3.15 80	1.58 40	2.13 54	.62 16	5.83 145	1.60 73	.40 40							
1 1/4 32	3.62 92	1.81 46	2.31 59	.81 21	5.83 145	2.35 1.07	.8 8							
1 1/2 40	4.00 102	2.00 51	2.75 70	1.00 25	7.00 175	3.47 1.58	.8 8							
2 50	4.50 114	2.25 57	3.00 76	1.25 32	7.24 175	5.50 2.50	.8 8							

◆ For detailed Operating Pressure, refer to Pressure Temperature Chart on pages 66 and 67.