

# Carbon Steel Ball Valves

One-Piece Bar Stock Body • Blowout-Proof Stem • 316  
SS Trim • Vented Ball

**2000 PSI/138 Bar Non-Shock Cold Working Pressure (1/2"-1")**  
**1500 PSI/103 Bar Non-Shock Cold Working Pressure (1 1/4"-2")** ◆

CONFORMS TO MSS SP-110

## MATERIAL LIST

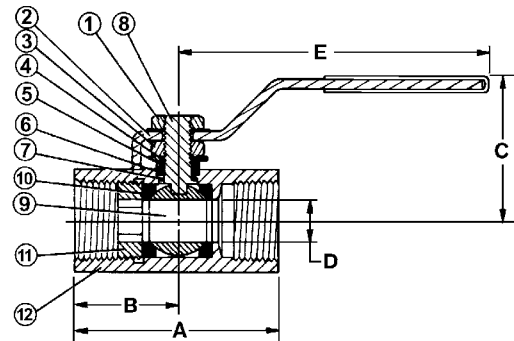
PART	SPECIFICATION
1. Handle Nut	Carbon Steel ASTM A 283 Zinc Plated
2. Handle	Carbon Steel ASTM A 283 Zinc Plated
3. Packing Nut	Carbon Steel ASTM A 283 Zinc Plated
4. Belleville Washer (2)	Carbon Steel Black Oxide ASTM A 686
5. Pack Gland	Stainless Steel ASTM A 240 Type 304
6. Stem Packing	Reinforced PTFE
7. Thrust Washer	Reinforced PTFE
8. Stem	Stainless Steel ASTM A 276 Type 316
9. Ball (Vented)	Stainless Steel ASTM A 276 Type 316 or ASTM A 351 Type CF8M
10. Seat Ring (2)	Reinforced PTFE
11. Body Insert	Carbon Steel ASTM A 108 Type 1018 Phosphate Coated
12. Body	Carbon Steel ASTM A 108 Type 1018 Phosphate Coated

NOTE: Valves are not available static grounded.



## T-570-CS-R-66

Threaded  
Reinforced PTFE Seats and Seals  
with SS Trim



T-570-CS-R-66  
NPT x NPT

## DIMENSIONS—WEIGHTS—QUANTITIES

Size	Dimensions										T-570-CS-R-66		Master Ctn. Qty.
	A	B	C	D	E	Lbs.	Kg.						
In. mm.	In. mm.	In. mm.	In. mm.	In. mm.	In. mm.								
1/2 15	2.19 56	1.10 28	1.63 41	.35 9	4.17 102	.55	.25	80					
3/4 20	2.63 67	1.32 34	1.75 44	.47 12	4.17 102	.77	.35	80					
1 25	3.15 80	1.58 40	2.13 54	.62 16	5.83 145	1.60	.74	40					
1 1/4 32	3.62 92	1.81 46	2.31 59	.81 21	5.83 145	2.35	1.07	8					
1 1/2 40	4.00 102	2.00 51	2.75 70	1.00 25	7.00 175	3.47	1.58	8					
2 50	4.50 114	2.25 57	3.00 76	1.25 32	7.24 175	5.50	2.50	8					

◆ For detailed Operating Pressure, refer to Pressure Temperature Chart on pages 66 and 67.