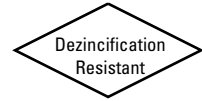


Bronze Ball Valves

Three-Piece Body • Full Port • Bronze Trim • 300 Series External Trim • Blowout-Proof Stem



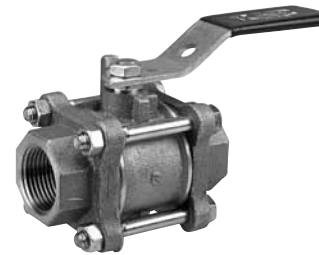
600 PSI/41.4 Bar Non-Shock Cold Working Pressure
150 PSI/10.3 Bar Saturated Steam ◆

CONFORMS TO MSS SP-110

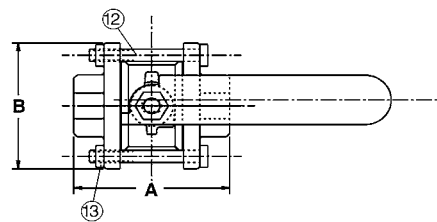
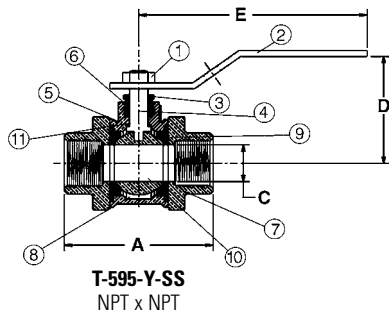
MATERIAL LIST

PART	SPECIFICATION
1. Handle Nut	300 Series Stainless Steel
2. Handle	300 Series Stainless Steel with Plastisol Grip
3. Threaded Pack Gland	Brass ASTM B 16 Alloy C36000
4. Stem	Silicon Bronze ASTM B 371 Alloy C69430 or ASTM B 99 Alloy C65100
5. Body	Bronze ASTM B 584 Alloy C84400
6. Packing	PTFE
7. Body End (2)	Bronze ASTM B 584 Alloy C84400
8. O-Ring Seal (2)	Fluorocarbon Rubber
9. Seat Ring (2)	PTFE
10. Ball	Brass ASTM B 124 Alloy C37700 or ASTM B 16 Alloy C36000 with Hard Chrome Plate
11. Thrust Washer	Reinforced PTFE
12. Body Bolts	300 Series Stainless Steel
13. Body Nuts	300 Series Stainless Steel

Note: Valves are static grounded by a grounding washer. (Not Shown)



T-595-Y-SS
Threaded



DIMENSIONS—WEIGHTS—QUANTITIES

Size	Dimensions					T-595-Y-SS		Master Ctn. Qty.
	A	B	C	D	E	Lbs.	Kg.	
1/4	8	2.50 64	1.81 46	.38 10	1.69 43	3.91 99	1.03 .47	50
3/8	10	2.50 64	1.81 46	.38 10	1.69 43	3.91 99	.98 .44	50
1/2	15	2.50 64	1.81 46	.50 13	1.69 43	3.91 99	1.03 .47	50
3/4	20	3.00 76	1.94 49	.75 19	2.00 51	4.66 118	1.70 .77	30
1	25	3.69 94	2.50 64	1.00 25	2.25 57	4.66 118	2.82 1.28	20
1 1/4	32	4.09 104	2.69 68	1.25 32	2.75 70	6.69 170	3.96 1.80	10
1 1/2	40	4.56 116	3.00 76	1.50 38	2.97 75	6.69 170	5.68 2.57	10
2	50	6.16 156	4.00 102	2.00 51	3.63 92	6.69 170	11.40 5.17	4
2 1/2	65	6.84 174	5.00 127	2.50 64	4.09 104	8.00 203	21.07 9.56	2

◆ For detailed Operating Pressure, refer to Pressure Temperature Chart on page 41.