

Class 250 Iron Y-Strainers

Screw-in Cap • Blow-off Plug • Threaded Ends
• 20 Mesh SS Screen or SS Perforated Screen

250 PSI/17.2 Bar Saturated Steam to 406° F/207° C
400 PSI/27.5 Bar Non-Shock Cold Working Pressure

CONFORMS TO ANSI B1.20.1 (NPT)

MATERIAL LIST

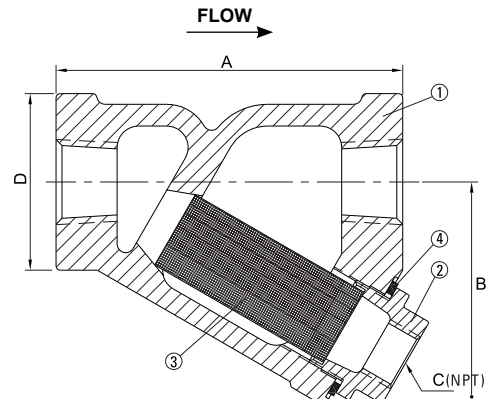
PART	SPECIFICATION
1. Body	Cast Iron ASTM A126 Class B
2. Cap	Cast Iron ASTM A126 Class B
3. Screen	Stainless Steel AISI 304
4. Gasket	Metal-Filled Graphite
5. Plug	Cast Iron ASTM A126 Class B



T-751-A
Threaded

DIMENSIONS—WEIGHTS—QUANTITIES

Size	Dimensions								Weight Lbs. Kg.		
	A		B		C		D				
In. mm.	In. mm.	In. mm.	In. mm.	In. mm.	In. mm.	In. mm.	In. mm.	In. mm.	In. mm.		
1/4 8	3.19 81.0	2.1 52.4	1/4 8	1.63 41.4	1.39 0.63						
3/8 10	3.19 81.0	2.1 52.4	1/4 8	1.63 41.4	1.39 0.63						
1/2 15	3.19 81.0	2.1 52.4	1/4 8	1.63 41.4	1.39 0.63						
3/4 20	3.75 95.3	2.4 61.9	3/8 10	1.77 45.0	2.20 0.99						
1 25	4.00 101.6	2.3 58.7	3/8 10	2.19 55.6	3.08 1.39						
1 1/4 32	5.00 127.0	3.4 85.8	3/4 20	2.52 64.0	5.06 2.29						
1 1/2 40	5.75 146.1	3.9 98.4	3/4 20	2.99 75.9	7.70 3.49						
2 50	7.00 177.8	4.8 120.7	1 25	3.54 89.9	12.54 5.68						
2 1/2 65	9.25 235.0	5.9 149.2	1 1/2 40	4.25 108.0	24.42 11.08						
3 80	10 25 6.0 152.4	1 1/2 40	5.00 127.0	29.26 13.27							



T-751-A
Threaded

FLOW COEFFICIENTS

SIZE	C _v	SIZE	C _v
1/4"	9.2	1 1/4"	44
3/8"	9.2	1 1/2"	61
1/2"	9.2	2"	97
3/4"	19	2 1/2"	130
1"	29	3"	160

VISIT WWW.NIBCO.COM FOR CURRENT CHEM-GUIDE AND GALVANIC POTENTIAL IN PIPING SYSTEMS INFORMATION.

Visit our website for the most current information.