

Stainless Steel Ball Valves

Three-Piece Body • Full Port • Blowout-Proof Stem • Full Port • 316 SS Trim • Vented Ball

1000 PSI/69 Bar Non-Shock Cold Working Pressure ◆

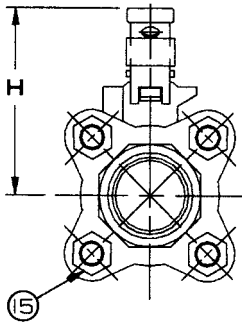
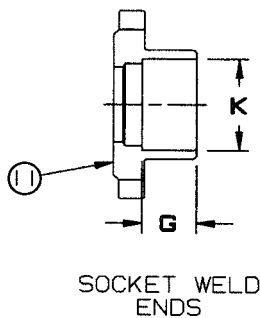
CONFORMS TO MSS SP-110

MATERIAL LIST

PART	SPECIFICATION
1. Handle Nut	Stainless Steel ASTM A 276 Type 304
2. Stem	Stainless Steel ASTM A 276 Type 316
3. Lock Washer	Stainless Steel 304
4. Stem Packing (1 Set)	Carbon Filled PTFE
5. Thrust Washer	Carbon Filled PTFE
6. Cap Bolt (4)	Stainless Steel ASTM A 193 B8 Type 304
7. Union Seal (2)	Reinforced PTFE
8. Ball (Vented)	Stainless Steel ASTM A 276 Type 316 or ASTM A 351 Type CF8M
9. Body	Stainless Steel ASTM A 351 Type CF8M
10. Seat (2)	Reinforced PTFE
11. ¹ Body End (2)	Stainless Steel ASTM A 351 Type CF8M
12. Lock Washer (4)	Stainless Steel 304
13. Threaded Pack Gland	Stainless Steel ASTM A 276 Type 316
14. Locking Handle	Stainless Steel ASTM A 240 Type 304
15. Cap Nut (4)	Stainless Steel 304

NOTE: Valves are static grounded by thrust washer and packing.

¹ Threaded Ends: CF8M, Socket Weld Ends: CF3M.

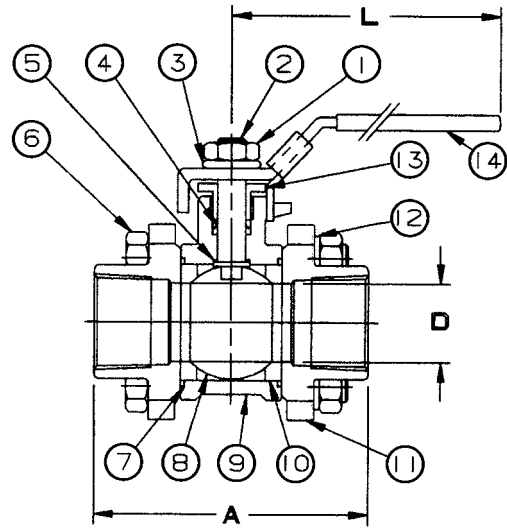


T-595-S6-R-66-LL

Threaded

K-595-S6-R-66-LL

Socket Weld



T/K-595-S6-R-66-LL
NPT x NPT or SOC x SOC

DIMENSIONS—WEIGHTS—QUANTITIES

Size	Dimensions						L	T or K-595-S6-R-25-LL	Master Ctn. Qty.
	A	D	G	K	H				
In. mm.	In. mm.	In. mm.	In. mm.	In. mm.	In. mm.	In. mm.	In. mm.	Lbs. Kg.	
¼ 8	2.36 60	.34 9	— —	— —	2.18 55	4.17 106	106	.97 .44	10
⅜ 10	2.36 60	.34 9	— —	— —	2.18 55	4.17 106	106	.97 .44	10
½ 15	2.76 70	.56 14	.38 10	.86 22	2.38 60	4.17 106	106	1.23 .56	10
¾ 20	3.03 77	.81 21	.50 13	1.07 27	2.87 73	5.71 145	145	1.91 .87	10
1 25	3.62 92	1.00 25	.50 13	1.34 34	2.95 75	5.71 145	145	2.93 1.33	8
1¼ 32	4.13 105	1.25 32	.50 13	1.69 43	3.66 93	7.36 187	187	4.27 1.94	5
1½ 40	4.72 110	1.50 38	.50 13	1.93 49	3.94 100	7.36 187	187	6.01 2.73	5
2 50	5.43 138	1.97 50	.62 16	2.42 61	4.25 108	7.95 202	202	9.50 4.32	5

◆ For detailed Operating Pressure, refer to Pressure Temperature Chart on pages 66 and 67.